

PARTS LIST

[MX-DVA9]

* All printed circuit boards and its assemblies are not available as service parts.

<p>Area suffix</p> <p>UX ----- Saudi Arabia</p>

- Contents -

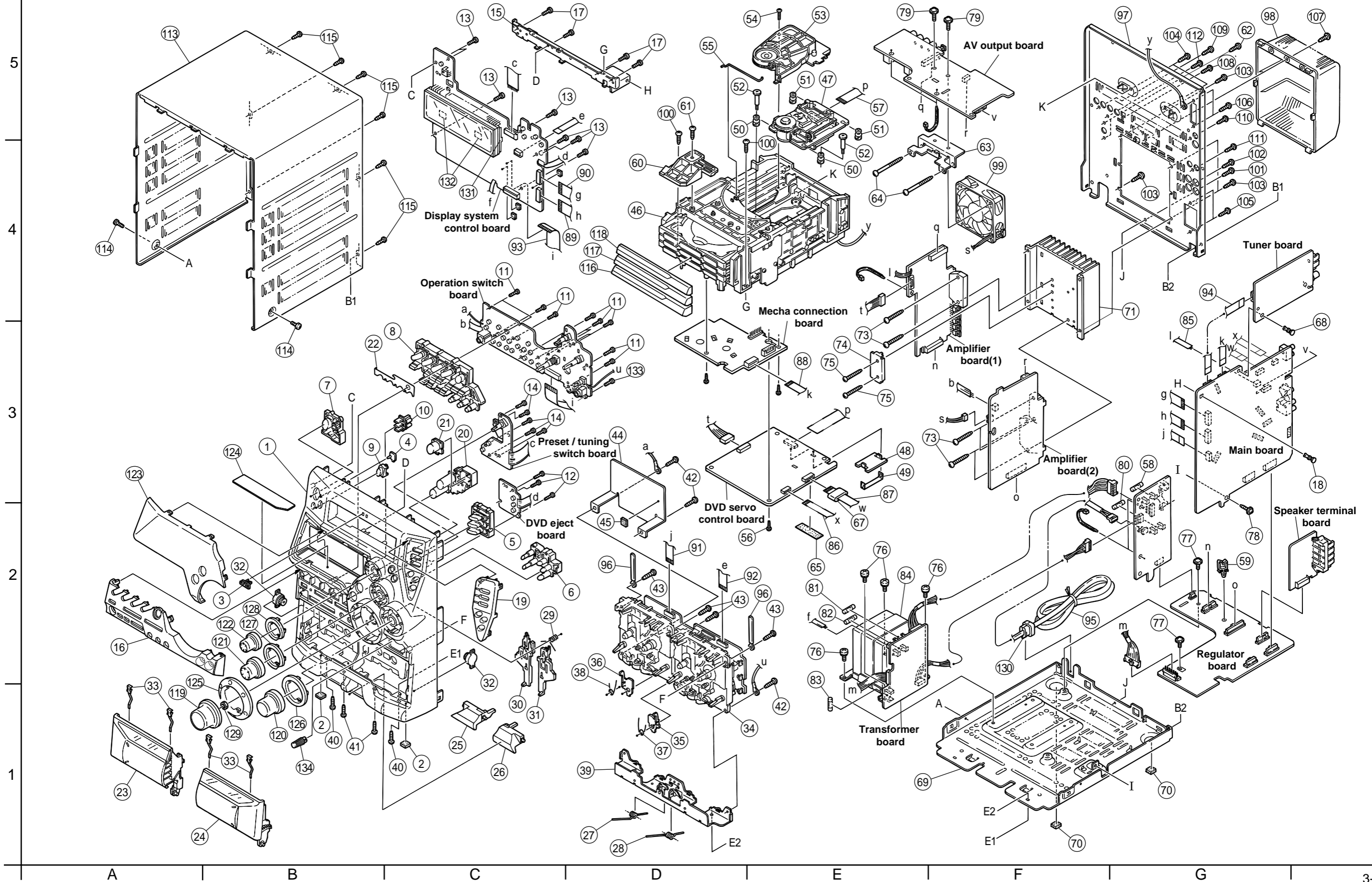
Exploded view of general assembly and parts list (Block No.M1)	3- 3
DVD mechanism assembly and parts list (Block No.MJ)	3- 6
DVD changer mechanism assembly and parts list (Block No.MK)	3- 8
Cassette mechanism assembly and parts list (Block No.MP)	3-10
Electrical parts list (Block No.01~10)	3-14
Packing materials and accessories parts list (Block No.M3,M5)	3-36

< MEMO >

Exploded view of general assembly and parts list

Block No.

M	1	M	M
---	---	---	---



■ Parts list (General assembly)

Block No. M1MM

△	Item	Parts number	Parts name	Q'ty	Description	Area
	1	GV10057-007A	FRONT PANEL	1		
	2	GV40246-001A	FOOT SPACER	2		
	3	GV40077-002A	JVC BADGE	1		
	4	GV40136-001A	STANDBY INDICATOR	1		
	5	GV30154-002A	CD BUTTON	1		
	6	GV20104-002A	CD EJECT BUTTON	1		
	7	GV30137-001A	POWER BUTTON	1		
	8	GV30177-006A	CONTROL BTTN.ASSY	1		
	9	GV30139-001A	REMOTE LENS	1		
	10	GV30140-001A	DVD INDICATOR	1		
	11	QYSDSF2608Z	SCREW	11	ON VOLUME BRD.	
	12	QYSDSF2608Z	SCREW	3	ON CD BRD.	
	13	QYSDSF2608Z	SCREW	7	ON MICOM BRD.	
	14	QYSDSF2608Z	SCREW	5	ON SOURCE BRD.	
	15	GV30129-001A	STAY BRACKET	1		
	16	GV10060-011A	ORNAMENT	1		
	17	QYSDSF2608Z	SCREW	4	STY.BRKT.+F.PNL	
	18	E310243-002	PLASTIC RIVET	1	M.BRD.+ STY BRK	
	19	GV20103-003A	SUB PANEL	1		
	20	GV30138-001A	FRONT BUTTON	1		
	21	GV40144-001A	DVD LENS	1		
	22	GV40185-002A	COVER SHEET	1		
	23	GV30211-005A	C.HOLD.ASSY(L)	1		
	24	GV30212-005A	C.HOLD.ASSY(R)	1		
	25	GV20099-002A	EJECT BUTTON A	1		
	26	GV20100-002A	EJECT BUTTON B	1		
	27	FMKW4009-002	HOLDER SPRING A	1		
	28	FMKW4010-002	HOLDER SPRING B	1		
	29	FMKW4011-001	SPRING	1	FOR EJECT LEVER	
	30	FMKS3002-003	EJECT LEVER(A)	1		
	31	FMKS3003-003	EJECT BUTTON(B)	1		
	32	GV40034-001A	DAMPER ASSY	2		
	33	VKY4180-401	CASSETTE SPRING	4		
	34	-----	SLC MECHA	1		
	35	FMKL4012-004	EJECT SAFETY(A)	1		
	36	FMKL4013-001	EJECT SAFETY(B)	1		
	37	FMKW4007-001	SPRING (A)	1	EJECT SAFETY A	
	38	FMKW4008-001	SPRING (B)	1	EJECT SAFETY B	
	39	GV20094-001A	HOLDER BRACKET	1		
	40	QYSBSG3010Z	T.SCREW	2	F.P.TO H.BRKT.	
	41	QYSBSG3010Z	T.SCREW	2	F.P.TO CHS.BASE	
	42	QYSBSG3010Z	T.SCREW	3	MECHA & H.BRKT.	
	43	QYSBSF3012Z	SCREW	4	MECHA & F.PANEL	
	44	GV30124-001A	TRANS SHIELD	1		
	45	E3400-431	SPACER	1	STICK AT SLC MO	
	46	-----	DVD 3CHANGER LO	1		
	47	-----	DVD TRAVERSE MECHA	1		
	48	LV41362-001A	HEAT SINK	1		

■ Parts list (General assembly)

Block No. M1MM

△	Item	Parts number	Parts name	Q'ty	Description	Area
	49	LV41363-002A	HOLDER	1		
	50	LV41120-003A	INSULATOR	2	FRONT ONLY	
	51	LV41120-004A	INSULATOR	2	REAR ONLY	
	52	LV41119-001A	SPECIAL SCREW	2	FRONT ONLY	
	53	VKS3703-00K	CLAMPER ASS'Y	1		
	54	QYSPST2606Z	SCREW	1	CLAMP ASSY	
	55	VKW5187-001	ROD	1		
	56	QYSBSF3008Z	SCREW	1	MODULE CB	
	57	QUQ105-4010AJ	FFC WIRE	1	FW101	
△	58	QMF51W2-2R0-J8	FUSE	1	F 003	
	59	GV40236-001A	PLASTIC HOLDER	1	STICK AT FMH BO	
	60	E309662-001SM	DISC STOPPER	1		
	61	QYSBSF3008Z	SCREW	1	DISC STOPP	
	62	QYSBSF3012E	SPECIAL SCREW	2	VOLT SEL/R.PNL	
	63	GV40189-001A	FAN BRACKET	1		
	64	QYSBSG3035Z	T.SCREW	2	FAN TO FAN BRACKET	
	65	VYSA1R3-003	SPACER	1	AT FERRITE CORE	
	67	QQR1259-002	FERRITE CORE	1		
	68	E310243-002	PLASTIC RIVET	1	TUNER BRD.+ FMC	
	69	GV10061-001A	CHASSIS BASE	1		
	70	GV40246-002A	FOOT SPACER	2	CHASS BASE FOOT	
	71	GV30191-001A	HEAT SINK	1		
	73	QYSBSG3014E	T.SCREW	6	FOR POWER IC	
	74	GV40143-001A	LEAF SPRING	1		
	75	QYSBSG3014E	T.SCREW	2	FOR LEAF SPRING	
	76	QYSDSTL4008Z	SPECIAL SCREW	4	FOR TRANS/CH.BS	
	77	QYSBSGG3008E	T.SCREW	2	FMH BRD./CH.BS	
	78	QYSBSGG3008E	T.SCREW	1	FMC BRD./CH.BS	
	79	QYSBSGG3008E	T.SCREW	2	FMP BRD./FAN BKT	
△	80	QMF51W2-4R0-J8	FUSE	1	F 001	
△	81	QMF51W2-5R0-J8	FUSE	1	F 101	
△	82	QMF51W2-5R0-J8	FUSE	1	F 102	
△	83	QMF51W2-4R0-J8	FUSE	1	F 103	
△	84	QQT0341-003	POWER TRANSF	1	T 001	
	85	QJJ015-091804	SIN CR C-C WIRE	1	FMH TO DVD MECHA	
	86	QUQ110-0916BJ	FFC WIRE	1	FMC TO DVD MECHA	
	87	QUQ110-1708BJ	FFC WIRE	1	FMC TO DVD MECHA	
	88	QUQ412-1013DJ	FFC WIRE	1	FMC TO DVD MECHA	
	89	QUQ412-1710CJ	FFC WIRE	1	FMC TO FMB	
	90	QUQ412-1410CJ	FFC WIRE	1	FMC TO FMB	
	91	QUQ412-1020CJ	FFC WIRE	1	FMC TO SLC	
	92	QUQ412-0915CJ	FFC WIRE	1	FMB TO SLC	
	93	QUQ412-2410CJ	FFC WIRE	1	FMB TO SW	
	94	QUQ412-0911DJ	FFC WIRE	1	FMC TO TUNER	
△	95	QMPR290-200-JN	POWER CORD	1		
	96	VKZ4001-110S	WIRE HOLDER	2		
	97	GV10062-038A	REAR PANEL	1		
	98	GV10063-002A	REAR COVER	1		

Parts list (General assembly)
Block No. M1MM

▲	Item	Parts number	Parts name	Q'ty	Description	Area
	99	QAR0177-001	FAN	1	SUPPLIER NIDEC	
	100	QYSBSG3010Z	T.SCREW	2	C3 & STAY BRKT	
	101	QYSBSGY3008E	SPECIAL SCREW	1	REAR PNL/CHAS.B	
	102	QYSBSGY3008E	SPECIAL SCREW	1	REAR PNL/ AUX	
	103	QYSBSGY3008E	SPECIAL SCREW	4	REAR PNL/ H.SIN	
	104	QYSBSGY3008E	SPECIAL SCREW	2	C3/ REAR PANEL	
	105	QYSBSGY3008E	SPECIAL SCREW	2	SPK/ REAR PANEL	
	106	QYSBSGY3008E	SPECIAL SCREW	2	TUNER/REAR PANEL	
	107	QYSBSGY3008E	SPECIAL SCREW	1	REAR CVR/R.PNL	
	108	QYSBSGY3008E	SPECIAL SCREW	1	OPTICAL/R.PANEL	
	109	QYSBSGY3008E	SPECIAL SCREW	1	SURR.SPK/R.PANEL	
	110	QYSBSGY3008E	SPECIAL SCREW	1	AV COMPULINK/R.	
	111	QYSBSGY3008E	SPECIAL SCREW	1	VIDEO OUT/R.PNL	
	112	QYSBSGY3008E	SPECIAL SCREW	1	REAR PNL/ERT PL	
	113	GV10055-001A/S/	METAL COVER	1		
	114	QYSDSG3006M	T.SCREW	2	M.COVER/CHAS.BS	
	115	QYSBSGY3008E	SPECIAL SCREW	6	M.COVER/R.PANEL	
	116	GV20106-003A	CD FITTING 1	1	DISC 1	
	117	GV20107-003A	CD FITTING 2	1	DISC 2	
	118	GV20108-003A	CD FITTING 3	1	DISC 3	
	119	GV30179-001A	VOLUME KNOB ASSY	1		
	120	GV30180-001A	S/WOOFER KNOB A	1		
	121	GV30181-001A	SOUND MODE KNOB	1		
	122	GV30182-001A	CD FORWARD KNOB	1		
	123	GV20098-015A	WINDOW SCREEN	1		
	124	GV40181-001A	MIRROR SHEET	1		
	125	GV30155-001A	VOLUME RING	1		
	126	GV30151-001A	S/WOOFER RING	1		
	127	GV30152-001A	SOUND MODE RING	1		
	128	GV30153-001A	CD FORWARD RING	1		
	129	GV40186-001A	NUT	1	FOR VOLUME ENCO	
	130	QZW0033-001	STRAIN RELIEF	1		
	131	GV30141-001A	FL HOLDER	1		
	132	E3400-439	FELT SPACER	2		
	133	QYSDSF2608Z	SCREW	1	ON VOLUME BRD.	
	134	GV40083-002A	MIC VOLUME KNOB	1		

Parts list (DVD mechanism)
Block No. MJMM

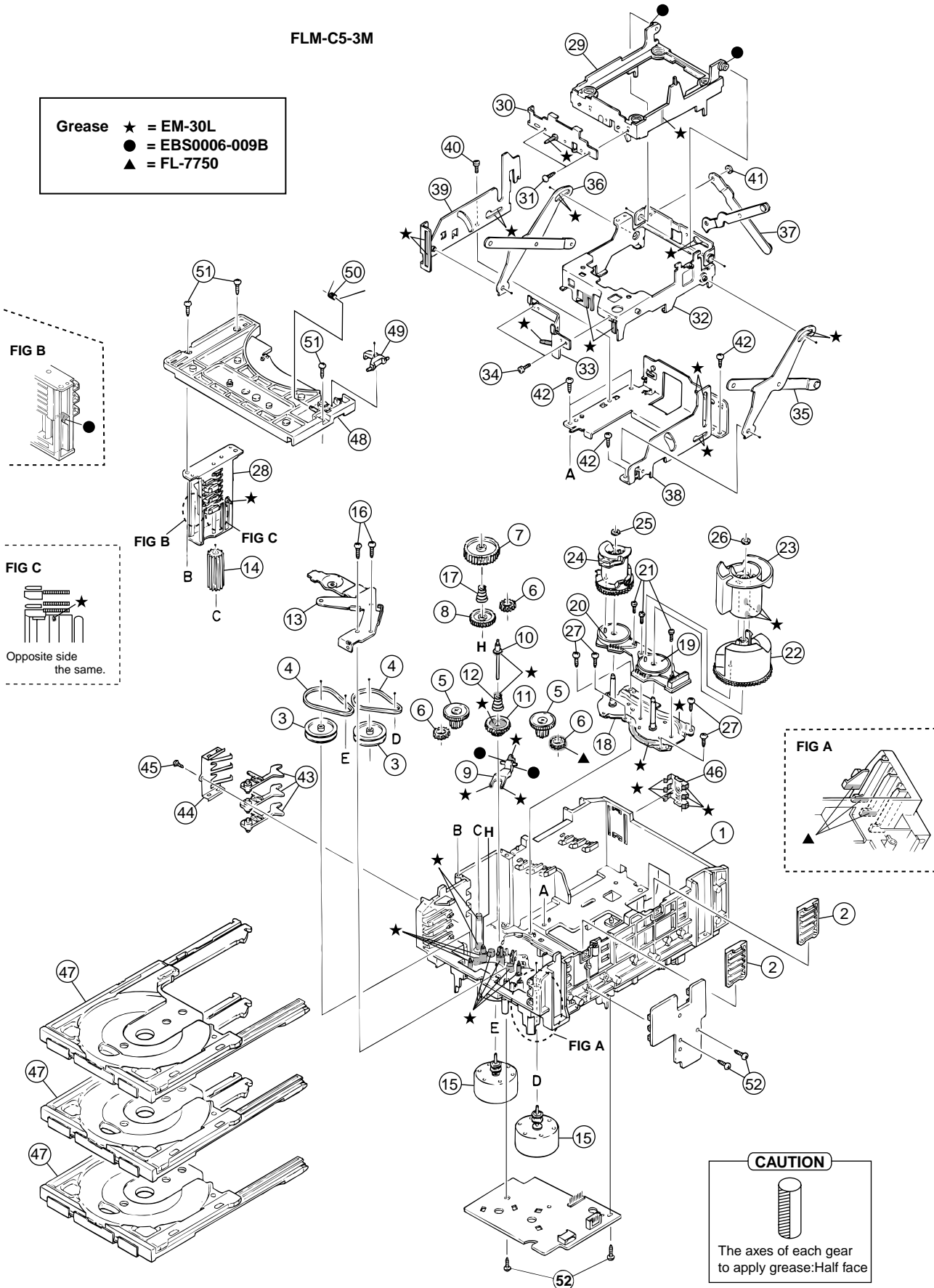
▲	Item	Parts number	Parts name	Q'ty	Description	Area
	1	LV20638-201A	MECHA BASE	1		
	2	LV20635-001A	SHAFT HOLDER	1		
	3	QYSBST2606M	T.SCREW	1		
	4	FXL-V6SPSV-2C	SP.MOTOR ASSY	1		
	5	QUM193-08B2B2	PARA RIBON WIRE	1		
	6	QYSBST2606M	T.SCREW	1	FOR S.BASE&M.BASE	
	7	OPTIMA-2010B1	DVD PICK UP	1		
	8	LV31670-001A	SWITCH ACTUATOR	1		
	9	LV31666-002A	LEAD SPRING	1		
	10	QYSPSGT2040M	SCREW	1		
	11	LV31743-002A	P.U. SPRING	1		
	12	QYSPSGT1416M	MINI SCREW	1	FOR PU.SPRING	
	13	LV41121-002A	SHAFT	1	MAIN SHAFT	
	14	LV41121-002A	SHAFT	1	SUB SHAFT	
	15	LV41732-001A	SKEW SPRING	3		
	16	LV31669-001A	SHAFT STOPPER R	2		
	17	LV31668-001A	SHAFT STOPPER F	1		
	18	QYSPST2614M	SCREW	2	FOR SSTOPER R	
	19	QYSPST2614M	SCREW	1	FOR SSTOPER F	
	20	LV31746-004A	FEED HOLDER ASY	1		
	21	QAR0127-001	FEED MOTOR	1		
	22	LV41510-201A	FEED GEAR T	1		
	23	QYSPSPU2040M	SCREW	1	FOR F.M	
	24	LV41512-201A	FEED GEAR E	1		
	25	LV41517-001A	LEAD SCREW	1		
	26	LV41511-202A	FEED GEAR M	1		
	27	LV31667-001A	THRUST SPRING	1		
	28	QYSPSPU2040M	SCREW	1	FOR F.M	
	29	QYSBST2606M	T.SCREW	2	FOR F.HOLDER	
	30	QYYASPF2608N	HEX SCREW	3	FOR TILT ADJUST	
	31	QYSBST2606M	T.SCREW	1	FOR PW BOARD	

DVD changer mechanism assembly and parts list

Block No. M K M M

FLM-C5-3M

Grease ★ = EM-30L
 ● = EBS0006-009B
 ▲ = FL-7750



Parts list (DVD changer mechanism)

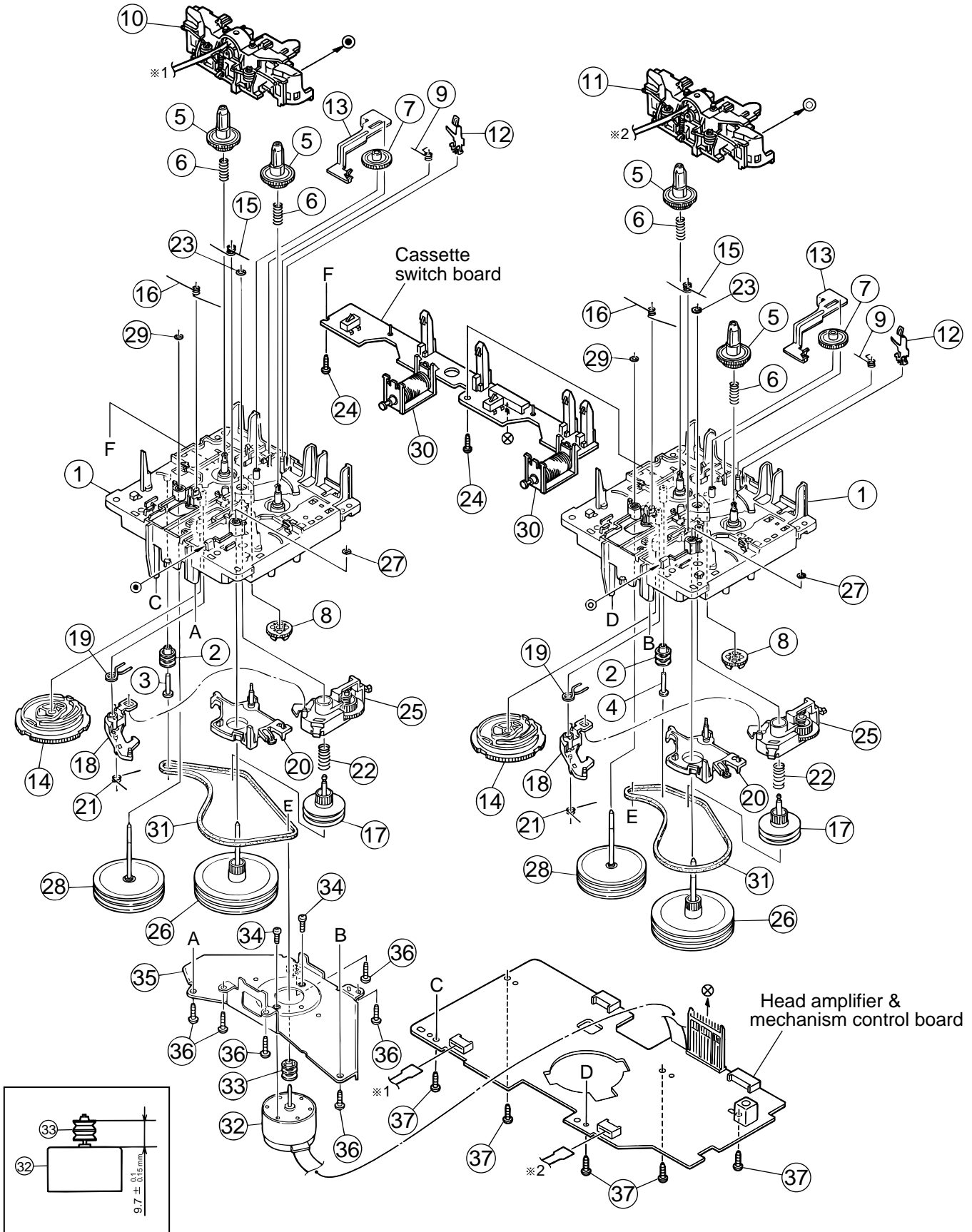
Block No. MKMM

△	Item	Parts number	Parts name	Q'ty	Description	Area
	1	VKS1144-004	CHASSIS	1		
	2	VKS3698-003	TRAY GUIDE	2		
	3	VKS5532-003	PULLEY GEAR	2		
	4	VKB3000-164	BELT	2		
	5	VKS5505-003	GEAR B	2		
	6	VKS5506-002	GEAR C	3		
	7	VKS5507-002	CROSS GEAR U	1		
	8	VKS5508-002	CROSS GEAR L	1		
	9	VKS5510-003	SELECT LEVER	1		
	10	VKH5769-001	S.G.SHAFT	1		
	11	VKS5511-002	SELECT GEAR	1		
	12	VKW5155-003	COMP.SPRING	1	FOR SELECT GEAR	
	13	VKM3846-003	GEAR BRACKET	1		
	14	VKS5509-002MM	CYLINDER GEAR	1		
	15	MSN5D257A-SA2	D.C.MOTOR ASS'Y	2		
	16	QYSPSPD2616Z	SCREW	2	FOR MOTOR	
	17	LV40612-001A	COMP.SPRING	1		
	18	VKM3825-00B	C.G.BASE ASS'Y	1		
	19	VKZ3172-00ASS	CAM SW. R ASS'Y	1		
	20	VKZ3173-00ASS	CAM SW. L ASS'Y	1		
	21	QYSPST2606Z	SCREW	3	FOR CAM SW.	
	22	VKS2263-002MM	CAM R1	1		
	23	VKS2264-002MM	CAM R2	1		
	24	VKS2265-002MM	CAM GEAR L	1		
	25	WDL316050MM	SLIT WASHER	1	FOR CAM GEAR L	
	26	WDL316050MM	SLIT WASHER	1		
	27	QYSBSF2608Z	T.SCREW	4	FOR C.GEAR BASE	
	28	VKS3702-00FMM	DRIVE UNIT	1		
	29	LV20466-002A	MECHA HOLDER A	1		
	30	LV41747-002A	BRACKET ASSY	1		
	31	QYSBSF2606Z	SCREW	2	FOR BRACKET	
	32	VKM3860-00D	MCHA HOLDER ASSY	1		
	33	VKL7802-00D	M.HOLDER C ASS'Y	1		
	34	QYSDST2604Z	SCREW	2	FOR M.HOLDER C	
	35	VKL7810-00B	LIFTER ASS'Y R	1		
	36	VKL7811-00B	LIFTER ASS'Y L	1		
	37	VKL7812-00B	LIFTER ASS'Y H	1		
	38	VKL2732-003	LIFTER BASE	1		
	39	VKM3857-002	LIFTER BRACKET	1		
	40	QYSDST2604Z	SCREW	1		
	41	WDL266035-2	SLIT WASHER	1		
	42	QYSBSF2608Z	T.SCREW	4		
	43	VKS5514-002MM	LOCK LEVER	3		
	44	VKY3133-002MM	RETURN SPRING	1		
	45	QYSBSF2608Z	T.SCREW	1	FOR RETURN SP.	
	46	VKY3134-003MM	CLICK SPRING	1		
	47	VKS2252-00M	TRAY ASS'Y	3		
	48	VKS2250-004	TOP BRACKET	1		
	49	VKS5515-002	S.TRAY STOPPER	1		
	50	VKW5156-004	TORSION SPRING	1		
	51	QYSBSF2608Z	T.SCREW	3		
	52	QYSBSF2608Z	T.SCREW	4		

Cassette mechanism assembly and parts list

Block No. M P M M

SLC-W101M

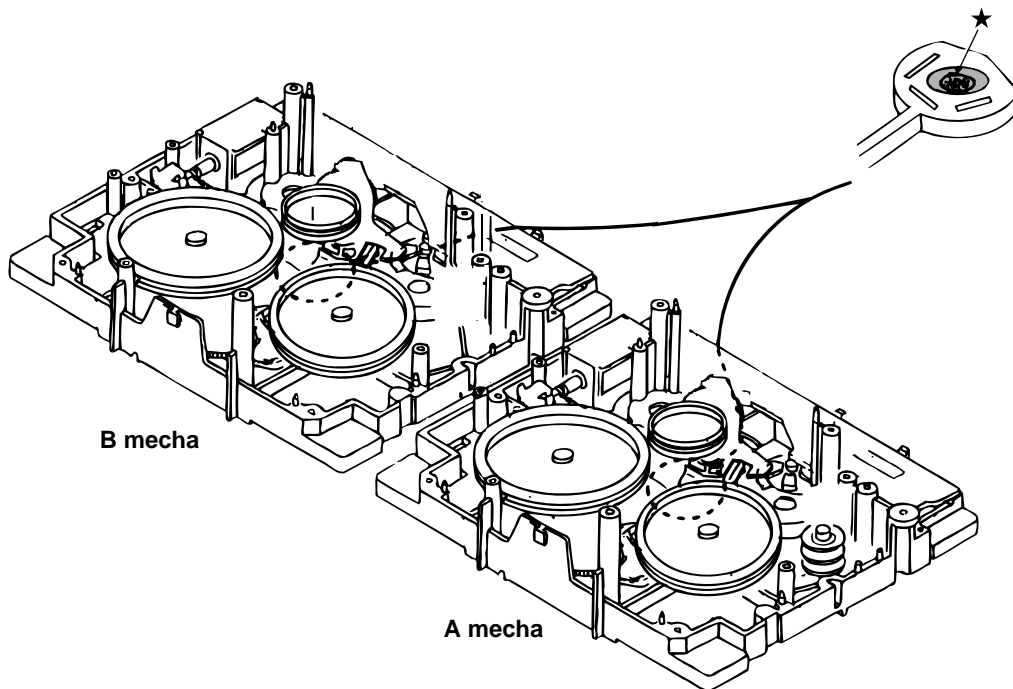
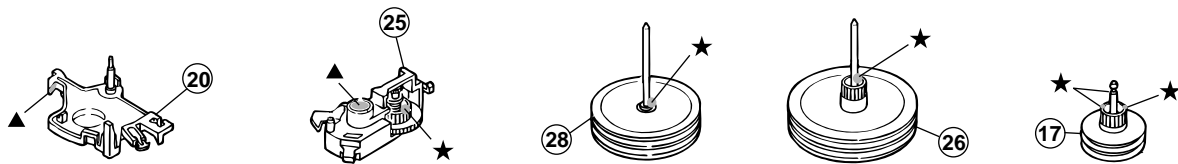
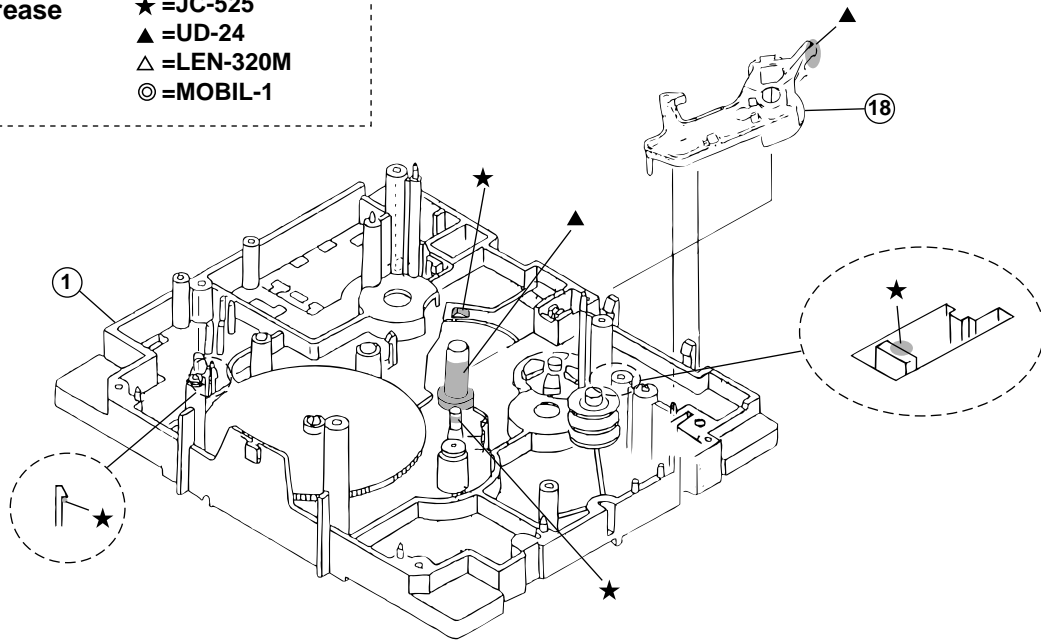


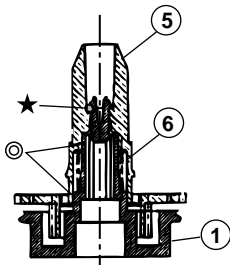
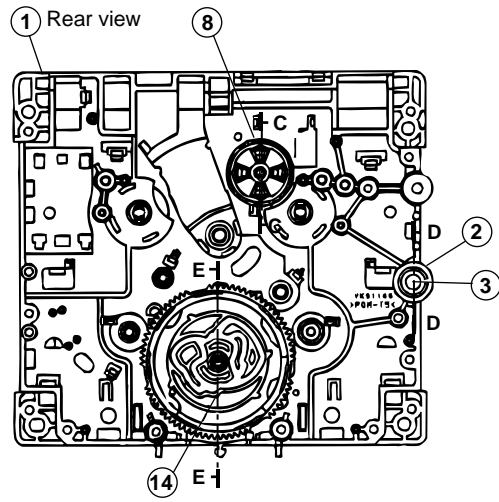
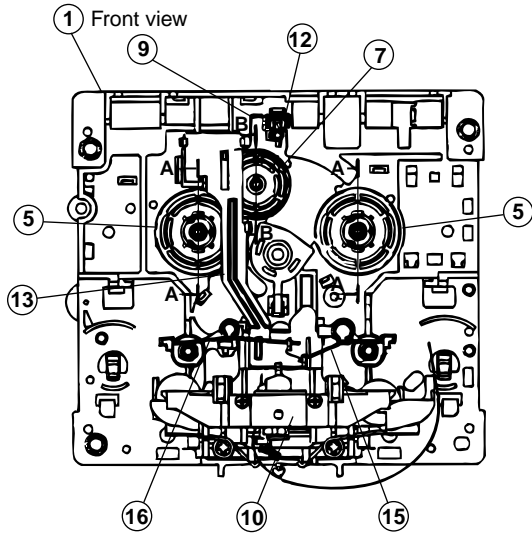
Parts list (Cassette mechanism)
Block No. MPMM

△	Item	Parts number	Parts name	Q'ty	Description	Area
	1	VKS1165-00K	MECHA CHASSIS	2		
	2	VKR4749-003	IDLER PULLEY	2		
	3	LV42026-001A	SHAFT	1	A MECHA	
	4	VKH5786-003	SHAFT	1	B MECHA	
	5	VKS2274-002	REEL GEAR	4		
	6	VKW5286-002	B.T. SPRING	4		
	7	VKS5559-001	PLAY IDLE GEAR	2		
	8	VKS5597-00B	FR GEAR	2		
	9	VKW5296-001	EARTH SPRING	2		
	10	SLC-P1SVM	HEAD MOUNT ASSY	1	A MECHA	
	11	SLC-RP1SVM	HEAD MOUNT ASSY	1	B MECHA	
	12	VKY3149-002	CASSETTE SP.	2		
	13	VKM3906-003	PLAY SW LEVER	2		
	14	VKS1166-003	CONTROL CAM	2		
	15	VKW5279-001	HEAD BASE SP(R)	2		
	16	VKW5280-001	HEAD BASE SP(L)	2		
	17	VKS5603-00G	MAIN PULLEY ASY	2		
	18	VKS3785-001MM	FR ARM	2		
	19	VKW5284-002	SWING SPRING	2		
	20	VKS2278-003	TRIGGER ARM	2		
	21	VKW5301-001	FR SPRING	2		
	22	VKW5266-001	ELEVATOR SPRING	2		
	23	WDL214025	WASHER	2		
	24	QYSBSF2005Z	T.SCREW	2		
	25	VKS3786-00G	CLUTCH ASS'Y	2		
	26	VKF3205-00B	F.WHEEL ASSY(R)	2		
	27	WDL183425	SLIT WASHER	2		
	28	VKF3207-00B	F.WHEEL ASSY(L)	2		
	29	WDL173525-6	SLIT WASHER	2		
	30	VKZ3174-00A	DC SOLENOID	2		
	31	VKB3000-182	CAPSTAN BELT(B)	2		
	32	MSI-5U2LWA	D.C.MOTOR ASS'Y	1		
	33	VKR4761-001	MOTOR PULLEY	1		
	34	QYSPSP2604Z	SCREW	2		
	35	VKM3907-001	JOINT BRACKET	1		
	36	QYSBSF2608Z	T.SCREW	6		
	37	QYSBSF2608Z	T.SCREW	5	FOR P.W.B.	

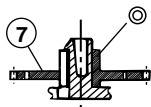
< Grease point >

Grease ★ =JC-525
 ▲ =UD-24
 △ =LEN-320M
 ◎ =MOBIL-1





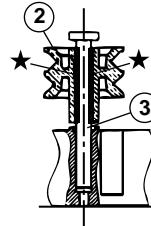
A - A (2/1, 2 places)



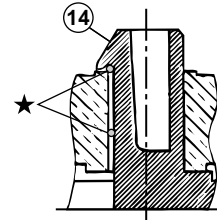
B - B (2/1)



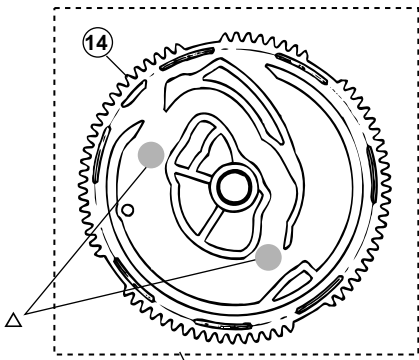
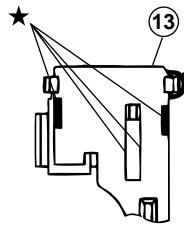
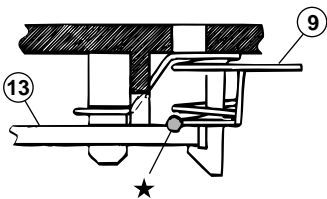
C - C (2/1)



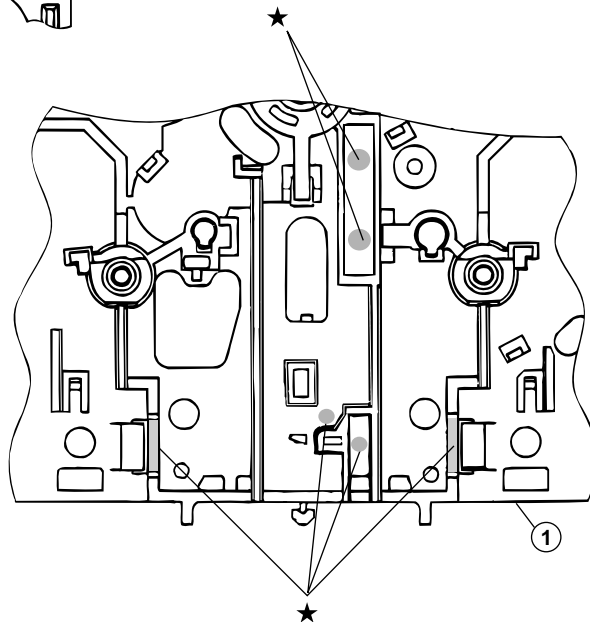
D - D (2/1)



E - E (5/1)



(Dipping)



■ Electrical parts list (Main board)

Block No. 01

△	Item	Parts number	Parts name	Remarks	Area	△	Item	Parts number	Parts name	Remarks	Area
C 201	QFV72AJ-104Z	MF CAPACITOR	.10MF 5% 100V			C 343	QETN1HM-106Z	E CAPACITOR	10MF 20% 50V		
C 202	QFV72AJ-104Z	MF CAPACITOR	.10MF 5% 100V			C 344	QETN1HM-106Z	E CAPACITOR	10MF 20% 50V		
C 203	QFV72AJ-104Z	MF CAPACITOR	.10MF 5% 100V			C 345	EETC1HM-476ZJC	E CAPACITOR			
C 204	EETB1HM-478JC	E.CAPA.				C 346	QCBB1HK-221Y	C CAPACITOR	220PF 10% 50V		
C 205	EETB1HM-478JC	E.CAPA.				C 347	QCBB1HK-221Y	C CAPACITOR	220PF 10% 50V		
C 211	QFV72AJ-104Z	MF CAPACITOR	.10MF 5% 100V			C 348	QCBB1HK-221Y	C CAPACITOR	220PF 10% 50V		
C 212	QFV72AJ-104Z	MF CAPACITOR	.10MF 5% 100V			C 349	EETC1HM-105ZJC	E.CAPA. I.M			
C 213	QFV72AJ-104Z	MF CAPACITOR	.10MF 5% 100V			C 703	QCBB1HK-471Y	C CAPACITOR	470PF 10% 50V		
C 214	EETB1HM-228JC	E.CAPA.				C 704	QCBB1HK-471Y	C CAPACITOR	470PF 10% 50V		
C 215	EETB1HM-228JC	E.CAPA.				C 705	QCBB1HK-221Y	C CAPACITOR	220PF 10% 50V		
C 216	QETN1VM-107Z	E CAPACITOR	100MF 20% 35V			C 706	QCBB1HK-221Y	C CAPACITOR	220PF 10% 50V		
C 217	EETC2AM-476ZJC	E CAPACITOR				C 707	QETN1JM-476Z	E CAPACITOR	47MF 20% 63V		
C 218	EETC1HM-226ZJC	E.CAPA. I.M				C 708	QETN1JM-476Z	E CAPACITOR	47MF 20% 63V		
C 219	QDYB1CM-103Y	C CAPACITOR				C 709	QCSB1HK-4R7Y	C CAPACITOR	4.7PF 10% 50V		
C 220	EETC1HM-226ZJC	E.CAPA. I.M				C 710	QCSB1HK-4R7Y	C CAPACITOR	4.7PF 10% 50V		
C 221	EETC1HM-475ZJC	E.CAPA. I.M				C 711	QFV72AJ-104Z	MF CAPACITOR	.10MF 5% 100V		
C 222	EETC1HM-475ZJC	E.CAPA. I.M				C 712	QFV72AJ-104Z	MF CAPACITOR	.10MF 5% 100V		
C 224	QETN1JM-476Z	E CAPACITOR	47MF 20% 63V			C 713	QFLC1HJ-473Z	M CAPACITOR	.047MF 5% 50V		
C 232	EETB1EM-688JC	E.CAPA.				C 714	QFLC1HJ-473Z	M CAPACITOR	.047MF 5% 50V		
C 250	EETC0JM-227ZJC	E.CAPACITOR				C 715	QFLC1HJ-473Z	M CAPACITOR	.047MF 5% 50V		
C 260	EETC1HM-226ZJC	E.CAPA. I.M				C 716	QFLC1HJ-473Z	M CAPACITOR	.047MF 5% 50V		
C 261	EETC1HM-226ZJC	E.CAPA. I.M				C 721	QTE1V06-106Z	E CAPACITOR			
C 262	QDYB1CM-103Y	C CAPACITOR				C 722	QTE1V06-106Z	E CAPACITOR			
C 270	EETC1AM-107ZJC	E.CAPA. I.M				C 723	EETC1AM-107ZJC	E.CAPA. I.M			
C 271	EETC1CM-227ZJC	E CAPACITOR				C 726	EETC1EM-106ZJC	E.CAPA. I.M			
C 280	QDXB1CM-222Y	C CAPACITOR				C 729	EETC1CM-476ZJC	E.CAPA. I.M			
C 281	FQCF31HP-473Z	M CAPACITOR				C 730	FQCF31HZ-223Z	D.CAPACITOR			
C 282	QDXB1CM-222Y	C CAPACITOR				C 731	FQCF31HZ-223Z	D.CAPACITOR			
C 283	FQCF31HP-473Z	C CAPACITOR				C 739	EETC1HM-105ZJC	E.CAPA. I.M			
C 285	QDXB1CM-222Y	C CAPACITOR				C 751	FQCF31HZ-223Z	D.CAPACITOR			
C 286	FQCF31HP-473Z	M CAPACITOR				C 752	FQCF31HZ-223Z	D.CAPACITOR			
C 287	QDXB1CM-222Y	C CAPACITOR				C 753	QCBB1HK-221Y	C CAPACITOR	220PF 10% 50V		
C 288	FQCF31HP-473Z	M CAPACITOR				C 754	QCBB1HK-221Y	C CAPACITOR	220PF 10% 50V		
C 299	EETC0JM-107ZJC	E CAPACITOR				C 755	QCBB1HK-221Y	C CAPACITOR	220PF 10% 50V		
C 301	EETC1CM-107ZJC	E CAPACITOR				C 756	QCBB1HK-221Y	C CAPACITOR	220PF 10% 50V		
C 302	EETC1AM-227ZJC	E.CAPA. I.M				C 757	QETN1JM-476Z	E CAPACITOR	47MF 20% 63V		
C 303	QDYB1CM-103Y	C CAPACITOR				C 758	QETN1JM-476Z	E CAPACITOR	47MF 20% 63V		
C 304	EETC1HM-106ZJC	E.CAPA. I.M				C 759	QCSB1HJ-100Y	C CAPACITOR	10PF 5% 50V		
C 306	EETC0JM-107ZJC	E CAPACITOR				C 760	QCSB1HJ-100Y	C CAPACITOR	10PF 5% 50V		
C 307	FQCF31HP-473Z	TF CAPACITOR				C 761	EETC1HM-476ZJC	E CAPACITOR			
C 308	EETC0JM-107ZJC	E CAPACITOR				C 762	EETC1HM-476ZJC	E CAPACITOR			
C 309	QDYB1CM-103Y	C CAPACITOR				C 763	QFLC1HJ-473Z	M CAPACITOR	.047MF 5% 50V		
C 310	EETC1HM-226ZJC	E.CAPA. I.M				C 764	QFLC1HJ-473Z	M CAPACITOR	.047MF 5% 50V		
C 311	EETC0JM-107ZJC	E CAPACITOR				C 765	QFLC1HJ-473Z	M CAPACITOR	.047MF 5% 50V		
C 321	QCBB1HK-221Y	C CAPACITOR	220PF 10% 50V			C 766	QFLC1HJ-473Z	M CAPACITOR	.047MF 5% 50V		
C 322	QTE1V06-106Z	E CAPACITOR				C 771	QTE1V06-106Z	E CAPACITOR			
C 323	QCBB1HK-221Y	C CAPACITOR	220PF 10% 50V			C 772	QTE1V06-106Z	E CAPACITOR			
C 324	QTE1V06-106Z	E CAPACITOR				C 773	QETN1HM-106Z	E CAPACITOR	10MF 20% 50V		
C 325	QCBB1HK-221Y	C CAPACITOR	220PF 10% 50V			C 774	QETN1HM-106Z	E CAPACITOR	10MF 20% 50V		
C 326	QTE1V06-106Z	E CAPACITOR				C 789	EETC1HM-105ZJC	E.CAPA. I.M			
C 328	QFLC1HJ-473Z	M CAPACITOR	.047MF 5% 50V			C 790	EETC1EM-476ZJC	E.CAPA. I.M			
C 329	QFLC1HJ-473Z	M CAPACITOR	.047MF 5% 50V			CN201	QGB2510J1-08	CONNECTOR			
C 330	QCSB1HJ-100Y	C CAPACITOR	10PF 5% 50V			CN202	QGB2510J1-09	CONNECTOR			
C 331	QETN1JM-476Z	E CAPACITOR	47MF 20% 63V			CN203	QGB2510J1-04	CONNECTOR			
C 333	QFLC1HJ-473Z	M CAPACITOR	.047MF 5% 50V			CN204	QGA3901C1-07	CONNECTOR			
C 334	QFLC1HJ-473Z	M CAPACITOR	.047MF 5% 50V			CN205	QGB2510J1-15	CONNECTOR			
C 335	QCSB1HJ-100Y	C CAPACITOR	10PF 5% 50V			CN206	QGB2510J1-14	CONNECTOR			
C 336	QETN1JM-476Z	E CAPACITOR	47MF 20% 63V			CN207	QGB2510J1-08	CONNECTOR			
C 338	QFLC1HJ-473Z	M CAPACITOR	.047MF 5% 50V			CN287	QGB2510K2-08	CONNECTOR			
C 339	QFLC1HJ-473Z	M CAPACITOR	.047MF 5% 50V			CN310	QGB2510K2-14	CONNECTOR			
C 340	QCSB1HJ-100Y	C CAPACITOR	10PF 5% 50V			CN311	QGB2510K2-15	CONNECTOR			
C 341	QETN1JM-476Z	E CAPACITOR	47MF 20% 63V			CN312	QGA2001F1-09	CONNECTOR			
C 342	EETC1HM-476ZJC	E CAPACITOR				CN701	QGB2510K2-15	CONNECTOR			

■ Electrical parts list (Main board)

Block No. 01

△	Item	Parts number	Parts name	Remarks	Area	△	Item	Parts number	Parts name	Remarks	Area
	CN703	QGD2504C1-03Z	SOCKET I.M				IC752	STK402-040	IC(HYBRID)		
	CN705	QGA2501F1-02	CONNECTOR			J 280	QNB0107-002	SPK TERMINAL			
	CN772	QGB2510K2-06	CONNECTOR			L 301	QQR1183-001Z	FERRITE BEADS			
△	D 201	1N5402M-20	DIODE			L 321	QQLZ005-R45	INDUCTOR			
△	D 202	1N5402M-20	DIODE			L 322	QQLZ005-R45	INDUCTOR			
△	D 203	1N5402M-20	DIODE			L 323	QQLZ005-R45	INDUCTOR			
△	D 204	1N5402M-20	DIODE			L 701	QQLZ005-R45	INDUCTOR			
△	D 211	1N5402M-20	DIODE			L 702	QQLZ005-R45	INDUCTOR			
△	D 212	1N5402M-20	DIODE			L 751	QQLZ005-R45	INDUCTOR			
△	D 213	1N5402M-20	DIODE			L 752	QQLZ005-R45	INDUCTOR			
△	D 214	1N5402M-20	DIODE			Q 211	2SA934/QR/-T	TRANSISTOR			
△	D 216	1N4003S-T5	SI DIODE			Q 212	KTC3199/GL/-T	TRANSISTOR			
△	D 217	1N4003S-T5	SI DIODE			Q 213	KTC3199/GL/-T	TRANSISTOR			
△	D 218	1N4003S-T5	SI DIODE			Q 261	2SB1274/RS/	TRANSISTOR			
	D 219	DZ33BSC-T2	Z.DIODE			Q 325	KTA1267/YG/-T	TRANSISTOR			
	D 220	DZ9.1BSC-T2	Z.DIODE			Q 326	KTA1267/YG/-T	TRANSISTOR			
	D 224	1SS133-T2	SI DIODE IM			Q 327	KTA1267/YG/-T	TRANSISTOR			
	D 225	1SS133-T2	SI DIODE IM			Q 331	KTC3199/GL/-T	TRANSISTOR			
△	D 231	2A02-M	DIODE			Q 332	2SD1913/RS/	TRANSISTOR			
△	D 232	2A02-M	DIODE			Q 333	KRA104M-T	D.TR.I.M			
△	D 233	2A02-M	DIODE			Q 334	KRC102M-T	D.TR.I.M			
△	D 234	2A02-M	DIODE			Q 335	KTC3199/GL/-T	TRANSISTOR			
	D 260	DZ11BSC-T2	Z.DIODE			Q 336	2SB1274/RS/	TRANSISTOR			
	D 262	DZ10BSC-T2	Z.DIODE I.M			Q 337	2SD2061/EF/	TRANSISTOR			
	D 270	DZ9.1BSC-T2	Z.DIODE			Q 338	KTC3199/GL/-T	TRANSISTOR			
	D 271	DZ13BSC-T2	Z.DIODE			Q 339	KTC3199/GL/-T	TRANSISTOR			
	D 301	DZ10BSA-T2	Z.DIODE			Q 340	2SD2061/EF/	TRANSISTOR			
	D 302	DZ11BSC-T2	Z.DIODE			Q 341	KRA104M-T	D.TR.I.M			
	D 303	DZ3.9BSB-T2	Z.DIODE			Q 342	KRC104M-T	D.TR.I.M			
	D 305	DZ8.2BSC-T2	Z.DIODE			Q 701	KTA1268/GL/-T	TRANSISTOR			
	D 306	1SS133-T2	SI DIODE IM			Q 702	KTA1268/GL/-T	TRANSISTOR			
	D 307	DZ6.8BSC-T2	Z. DIODE			Q 710	2SA965/OY/-T	TR./IM			
	D 308	DZ4.3BSB-T2	Z. DIODE			Q 711	KTC3200/GL/-T	TRANSISTOR			
	D 309	DZ6.8BSC-T2	Z. DIODE			Q 712	KTA1268/GL/-T	TRANSISTOR			
	D 311	1SS119-02-T2	SI DIODE			Q 713	2SC2235/OY/-T	TRANSISTOR			
	D 321	DZ9.1BSC-T2	Z.DIODE			Q 726	2SC2389S/SE/-T	TRANSISTOR			
	D 322	1SS133-T2	SI DIODE IM			Q 727	KTA1268/GL/-T	TRANSISTOR			
	D 323	1SS133-T2	SI DIODE IM			Q 728	KTC3199/GL/-T	TRANSISTOR			
	D 324	1SS133-T2	SI DIODE IM			Q 733	2SC3576-JVC-T	TRANSISTOR I/M			
	D 325	DZ9.1BSC-T2	Z.DIODE			Q 734	2SC3576-JVC-T	TRANSISTOR I/M			
	D 703	DZ15BSC-T2	Z.DIODE			Q 735	2SC3576-JVC-T	TRANSISTOR I/M			
	D 704	DZ15BSC-T2	Z.DIODE			Q 736	2SC3576-JVC-T	TRANSISTOR I/M			
	D 719	1SS133-T2	SI DIODE IM			Q 737	KRA102M-T	D.TRANSISTOR			
	D 720	1SS133-T2	SI DIODE IM			Q 751	KTA1268/GL/-T	TRANSISTOR			
	D 723	DZ36BSA-T2	Z.DIODE			Q 752	KTA1268/GL/-T	TRANSISTOR			
	D 724	DZ36BSA-T2	Z.DIODE			Q 762	KTA1267/YG/-T	TRANSISTOR			
	D 726	1SS133-T2	SI DIODE IM			Q 763	KRC102M-T	D.TRANSISTOR			
	D 728	1SS133-T2	SI DIODE IM			Q 792	KTC3203/OY/-T	TRANSISTOR			
	D 769	1SS133-T2	SI DIODE IM			△ R 202	QRZ9042-2R2X	F RESISTOR	2.2 1/4W		
	D 770	1SS133-T2	SI DIODE IM			R 203	QRE141J-752Y	C RESISTOR	7.5K 5% 1/4W		
	D 772	DZ9.1BSC-T2	Z.DIODE			R 204	QRE141J-223Y	C RESISTOR	22K 5% 1/4W		
	D 787	1SS133-T2	SI DIODE IM			R 205	QRE141J-104Y	C RESISTOR	100K 5% 1/4W		
	D 788	1SS133-T2	SI DIODE IM			R 211	QRE141J-103Y	C RESISTOR	10K 5% 1/4W		
	D 790	1SS133-T2	SI DIODE IM			R 212	QRE141J-103Y	C RESISTOR	10K 5% 1/4W		
	D 791	1SS133-T2	SI DIODE IM			R 213	QRE141J-103Y	C RESISTOR	10K 5% 1/4W		
	D 792	DZ5.1BSB-T2	ZENER DIODE			R 214	QRE141J-103Y	C RESISTOR	10K 5% 1/4W		
	EP201	QNZ0136-001Z	EARTH PLATE			R 215	QRE141J-473Y	C RESISTOR	47K 5% 1/4W		
	FW313	QUM154-18DGZ4	PARA RIBON WIRE			R 216	QRE141J-473Y	C RESISTOR	47K 5% 1/4W		
	IC270	NJM78M09FA	IC			R 217	QRE141J-273Y	C RESISTOR	27K 5% 1/4W		
	IC271	NJM78M12FA	IC			R 218	QRE141J-273Y	C RESISTOR	27K 5% 1/4W		
	IC321	STK402-230	IC			R 220	QRK126J-121X	C RESISTOR	120 5% 1/2W		
	IC330	KIA7805API	IC			R 221	QRE141J-752Y	C RESISTOR	7.5K 5% 1/4W		
△	IC701	STK412-090	IC			R 250	QRE141J-103Y	C RESISTOR	10K 5% 1/4W		

■ Electrical parts list (Main board)

Block No. 01

△	Item	Parts number	Parts name	Remarks	Area	△	Item	Parts number	Parts name	Remarks	Area	
	R 260	QRE141J-272Y	C RESISTOR	2.7K 5% 1/4W			R 706	QRJ146J-821X	UNF C RESISTOR	820 5% 1/4W		
	R 261	QRE141J-562Y	C RESISTOR	5.6K 5% 1/4W			R 707	QRE141J-563Y	C RESISTOR	56K 5% 1/4W		
	R 262	QRJ146J-100X	UNF C RESISTOR	10 5% 1/4W			R 708	QRE141J-563Y	C RESISTOR	56K 5% 1/4W		
	R 280	QRJ146J-4R7X	UNF C RESISTOR	4.7 5% 1/4W			R 709	QRJ146J-100X	UNF C RESISTOR	10 5% 1/4W		
	R 281	QRJ146J-4R7X	UNF C RESISTOR	4.7 5% 1/4W			R 710	QRJ146J-100X	UNF C RESISTOR	10 5% 1/4W		
	R 285	QRJ146J-4R7X	UNF C RESISTOR	4.7 5% 1/4W			R 711	QRJ146J-100X	UNF C RESISTOR	10 5% 1/4W		
	R 286	QRJ146J-4R7X	UNF C RESISTOR	4.7 5% 1/4W			R 712	QRJ146J-100X	UNF C RESISTOR	10 5% 1/4W		
	R 301	QRE141J-561Y	C RESISTOR	560 5% 1/4W			R 713	QRE141J-102Y	C RESISTOR	1.0K 5% 1/4W		
	R 302	QRE141J-562Y	C RESISTOR	5.6K 5% 1/4W			R 714	QRE141J-102Y	C RESISTOR	1.0K 5% 1/4W		
	R 303	QRE141J-103Y	C RESISTOR	10K 5% 1/4W			R 715	QRE141J-562Y	C RESISTOR	5.6K 5% 1/4W		
	R 304	QRE141J-512Y	C RESISTOR	5.1K 5% 1/4W			R 716	QRE141J-562Y	C RESISTOR	5.6K 5% 1/4W		
	R 305	QRE141J-152Y	C RESISTOR	1.5K 5% 1/4W			R 717	QRE141J-103Y	C RESISTOR	10K 5% 1/4W		
	R 306	QRE141J-331Y	C RESISTOR	330 5% 1/4W			R 718	QRE141J-103Y	C RESISTOR	10K 5% 1/4W		
	R 307	QRE141J-331Y	C RESISTOR	330 5% 1/4W			R 719	QRE141J-682Y	C RESISTOR	10K 5% 1/4W		
	R 308	QRE141J-331Y	C RESISTOR	330 5% 1/4W			R 720	QRE141J-682Y	C RESISTOR	6.8K 5% 1/4W		
	R 309	QRE141J-681Y	C RESISTOR	1.2K 5% 1/4W			R 721	QRE141J-104Y	C RESISTOR	100K 5% 1/4W		
	R 310	QRE141J-122Y	C RESISTOR	1.2K 5% 1/4W			R 722	QRE141J-104Y	C RESISTOR	100K 5% 1/4W		
	R 311	QRE141J-201Y	C RESISTOR	200 5% 1/4W			R 723	QRE141J-104Y	C RESISTOR	100K 5% 1/4W		
	R 312	QRE141J-201Y	C RESISTOR	200 5% 1/4W			R 724	QRE141J-103Y	C RESISTOR	10K 5% 1/4W		
	R 316	QRE141J-103Y	C RESISTOR	10K 5% 1/4W			R 725	QRE141J-104Y	C RESISTOR	100K 5% 1/4W		
	R 321	QRE141J-102Y	C RESISTOR	1.0K 5% 1/4W			R 726	QRE141J-103Y	C RESISTOR	10K 5% 1/4W		
	R 322	QRE141J-563Y	C RESISTOR	56K 5% 1/4W			R 727	QRE141J-472Y	C RESISTOR	4.7K 5% 1/4W		
	R 323	QRE141J-102Y	C RESISTOR	1.0K 5% 1/4W			R 728	QRE141J-472Y	C RESISTOR	4.7K 5% 1/4W		
	R 324	QRE141J-563Y	C RESISTOR	56K 5% 1/4W			R 729	QRE141J-472Y	C RESISTOR	4.7K 5% 1/4W		
	R 325	QRE141J-102Y	C RESISTOR	1.0K 5% 1/4W			R 730	QRE141J-472Y	C RESISTOR	4.7K 5% 1/4W		
	R 326	QRE141J-563Y	C RESISTOR	56K 5% 1/4W			R 731	QRL01DJ-821X	OMF RESISTOR	820 5% 1/1W		
	R 327	QRJ146J-100X	UNF C RESISTOR	10 5% 1/4W			R 732	QRL01DJ-821X	OMF RESISTOR	820 5% 1/1W		
	R 328	QRJ146J-100X	UNF C RESISTOR	10 5% 1/4W			R 733	QRE141J-682Y	C RESISTOR	6.8K 5% 1/4W		
	R 329	QRE141J-563Y	C RESISTOR	56K 5% 1/4W			R 734	QRE141J-682Y	C RESISTOR	10K 5% 1/4W		
	R 330	QRJ146J-122X	UNF C RESISTOR	1.2K 5% 1/4W			R 735	QRZ0218-R22	C RESISTOR	1/2W		
	R 331	QRJ146J-100X	UNF C RESISTOR	10 5% 1/4W			R 736	QRZ0218-R22	C RESISTOR	1/2W		
	R 332	QRJ146J-100X	UNF C RESISTOR	10 5% 1/4W			R 737	QRE141J-102Y	C RESISTOR	1.0K 5% 1/4W		
	R 333	QRE141J-563Y	C RESISTOR	56K 5% 1/4W			R 738	QRE141J-102Y	C RESISTOR	1.0K 5% 1/4W		
	R 334	QRJ146J-122X	UNF C RESISTOR	1.2K 5% 1/4W			R 739	QRE141J-333Y	C RESISTOR	33K 5% 1/4W		
	R 335	QRJ146J-100X	UNF C RESISTOR	10 5% 1/4W			R 740	QRE141J-104Y	C RESISTOR	100K 5% 1/4W		
	R 336	QRJ146J-100X	UNF C RESISTOR	10 5% 1/4W			R 741	QRE141J-222Y	C RESISTOR	2.2K 5% 1/4W		
	R 337	QRE141J-563Y	C RESISTOR	56K 5% 1/4W			△	R 742	QRJ146J-100X	UNF C RESISTOR	10 5% 1/4W	
	R 338	QRJ146J-122X	UNF C RESISTOR	1.2K 5% 1/4W			R 743	QRE141J-102Y	C RESISTOR	1.0K 5% 1/4W		
	R 339	QRJ146J-100X	UNF C RESISTOR	10 5% 1/4W			R 744	QRE141J-102Y	C RESISTOR	1.0K 5% 1/4W		
	R 340	QRE141J-101Y	C RESISTOR	100 5% 1/4W			R 745	QRE141J-103Y	C RESISTOR	10K 5% 1/4W		
	R 341	QRE141J-333Y	C RESISTOR	33K 5% 1/4W			R 746	QRE141J-103Y	C RESISTOR	10K 5% 1/4W		
	R 342	QRE141J-101Y	C RESISTOR	100 5% 1/4W			R 747	QRE141J-103Y	C RESISTOR	10K 5% 1/4W		
	R 343	QRE141J-473Y	C RESISTOR	47K 5% 1/4W			R 748	QRE141J-103Y	C RESISTOR	10K 5% 1/4W		
	R 344	QRE141J-183Y	C RESISTOR	18K 5% 1/4W			R 749	QRE141J-202Y	C RESISTOR	2.0K 5% 1/4W		
	R 346	QRT01DJ-R22X	MF RESISTOR	5% 1/1W			R 750	QRE141J-202Y	C RESISTOR	2.0K 5% 1/4W		
	R 348	QRT01DJ-R22X	MF RESISTOR	5% 1/1W			R 751	QRJ146J-101X	UNF C RESISTOR	100 5% 1/4W		
	R 350	QRT01DJ-R22X	MF RESISTOR	5% 1/1W			R 752	QRJ146J-101X	UNF C RESISTOR	100 5% 1/4W		
	R 351	QRE141J-183Y	C RESISTOR	18K 5% 1/4W			R 753	QRE141J-563Y	C RESISTOR	56K 5% 1/4W		
	R 352	QRE141J-102Y	C RESISTOR	1.0K 5% 1/4W			R 754	QRE141J-563Y	C RESISTOR	56K 5% 1/4W		
	R 353	QRE141J-473Y	C RESISTOR	47K 5% 1/4W			R 755	QRJ146J-122X	UNF C RESISTOR	1.2K 5% 1/4W		
	R 354	QRE141J-183Y	C RESISTOR	18K 5% 1/4W			R 756	QRJ146J-122X	UNF C RESISTOR	1.2K 5% 1/4W		
	R 355	QRE141J-102Y	C RESISTOR	1.0K 5% 1/4W			R 757	QRE141J-563Y	C RESISTOR	56K 5% 1/4W		
	R 356	QRE141J-473Y	C RESISTOR	47K 5% 1/4W			R 758	QRE141J-563Y	C RESISTOR	56K 5% 1/4W		
	R 357	QRE141J-102Y	C RESISTOR	1.0K 5% 1/4W			R 759	QRJ146J-100X	UNF C RESISTOR	10 5% 1/4W		
	R 358	QRE141J-102Y	C RESISTOR	1.0K 5% 1/4W			R 760	QRJ146J-100X	UNF C RESISTOR	10 5% 1/4W		
	R 360	QRE141J-104Y	C RESISTOR	100K 5% 1/4W			R 761	QRJ146J-100X	UNF C RESISTOR	10 5% 1/4W		
	R 361	QRE141J-104Y	C RESISTOR	100K 5% 1/4W			R 762	QRJ146J-100X	UNF C RESISTOR	10 5% 1/4W		
	R 362	QRE141J-104Y	C RESISTOR	100K 5% 1/4W			R 763	QRE141J-221Y	C RESISTOR	220 5% 1/4W		
	R 701	QRJ146J-470X	UNF C RESISTOR	47 5% 1/4W			R 764	QRE141J-221Y	C RESISTOR	220 5% 1/4W		
	R 702	QRJ146J-470X	UNF C RESISTOR	47 5% 1/4W			R 765	QRE141J-222Y	C RESISTOR	2.2K 5% 1/4W		
	R 703	QRE141J-563Y	C RESISTOR	56K 5% 1/4W			R 766	QRE141J-222Y	C RESISTOR	2.2K 5% 1/4W		
	R 704	QRE141J-563Y	C RESISTOR	56K 5% 1/4W			R 767	QRE141J-103Y	C RESISTOR	10K 5% 1/4W		
	R 705	QRJ146J-821X	UNF C RESISTOR	820 5% 1/4W			R 768	QRE141J-103Y	C RESISTOR	10K 5% 1/4W		

■ Electrical parts list (Main board)

Block No. 01

△	Item	Parts number	Parts name	Remarks	Area
	R 769	QRL01DJ-821X	OMF RESISTOR	820 5% 1/1W	
	R 770	QRL01DJ-821X	OMF RESISTOR	820 5% 1/1W	
	R 774	QRE141J-333Y	C RESISTOR	33K 5% 1/4W	
	R 775	QRE141J-103Y	C RESISTOR	10K 5% 1/4W	
	R 776	QRE141J-103Y	C RESISTOR	10K 5% 1/4W	
	R 777	QRJ146J-100X	UNF C RESISTOR	10 5% 1/4W	
	R 778	QRE141J-102Y	C RESISTOR	1.0K 5% 1/4W	
	R 779	QRE141J-102Y	C RESISTOR	1.0K 5% 1/4W	
	R 784	QRT01DJ-R22X	MF RESISTOR	5% 1/1W	
	R 786	QRT01DJ-R22X	MF RESISTOR	5% 1/1W	
	R 787	QRE141J-202Y	C RESISTOR	2.0K 5% 1/4W	
	R 788	QRE141J-202Y	C RESISTOR	2.0K 5% 1/4W	
	RY201	QSK0109-001	RELAY		
	RY202	QSK0109-001	RELAY		

■ Electrical parts list (Input board)

Block No. 02

△	Item	Parts number	Parts name	Remarks	Area	△	Item	Parts number	Parts name	Remarks	Area
	C 402	QCZ0202-155Z	ML C CAPA I/M	1.5MF			C 548	EETC1AM-227ZJC	E.CAPACITOR		
	C 404	QCZ0202-155Z	ML C CAPA I/M	1.5MF			C 549	NCF31CZ-104X	C CAPACITOR		
	C 405	EETC0JM-477ZJC	C.CAPACITOR				C 550	QETN1EM-106Z	E CAPACITOR	10MF 20% 25V	
	C 408	QCZ0202-155Z	ML C CAPA I/M	1.5MF			C 560	EETC1HM-475ZJC	E.CAPA. I.M		
	C 409	EETC1AM-477ZJC	E CAPACITOR				C 561	QETN1EM-106Z	E CAPACITOR	10MF 20% 25V	
	C 410	NCB31HK-103X	C CAPACITOR				C 562	EETC1HM-225ZJC	E.CAPA. I.M		
	C 411	NCB31AK-224X	C CAPACITOR				C 563	QETN1EM-106Z	E CAPACITOR	10MF 20% 25V	
	C 413	QCZ0202-155Z	ML C CAPA I/M	1.5MF			C 564	QETN1CM-476Z	E CAPACITOR	47MF 20% 16V	
	C 414	EETC0JM-477ZJC	C.CAPACITOR				C 565	QETN1EM-106Z	E CAPACITOR	10MF 20% 25V	
	C 420	QDXB1CM-182Y	C CAPACITOR				C 566	NCB31CK-563X	C CAPACITOR		
	C 421	QCSB1HJ-330Y	C CAPACITOR	33PF 5% 50V			C 567	NCB31AK-224X	C CAPACITOR		
	C 422	QDVB1EZ-223Y	C CAPACITOR				C 568	QETN1EM-106Z	E CAPACITOR	10MF 20% 25V	
	C 423	QDGB1HK-681Y	C CAPACITOR				C 580	QETN1CM-106Z	E CAPACITOR	10MF 20% 16V	
	C 424	EETC1HM-105ZJC	E.CAPA. I.M				C 582	NCS31HJ-101X	C.CAPA. C.M		
	C 425	EETC1AM-107ZJC	E.CAPA. I.M				C 583	NCS31HJ-101X	C.CAPA. C.M		
	C 430	NCB31HK-102X	C CAPACITOR				C 600	NCS31HJ-101X	C.CAPA. C.M		
	C 431	NCB31CK-333X	C CAPACITOR				C 601	EETC1HM-106ZJC	E.CAPA. I.M		
	C 432	EETC1AM-107ZJC	E.CAPA. I.M				C 602	EETC1HM-106ZJC	E.CAPA. I.M		
	C 433	NCB31HK-221X	C CAPACITOR				C 603	EETC1HM-225ZJC	E.CAPA. I.M		
	C 434	NCB31HK-681X	C CAPACITOR				C 604	EETC1HM-225ZJC	E.CAPA. I.M		
	C 437	NCB31HK-103X	C CAPACITOR				C 605	EETC1EM-106ZJC	E.CAPA. I.M		
	C 450	NCB31HK-102X	C CAPACITOR				C 606	EETC1EM-106ZJC	E.CAPA. I.M		
	C 451	NCB31CK-333X	C CAPACITOR				C 607	EETC1EM-106ZJC	E.CAPA. I.M		
	C 452	EETC1AM-107ZJC	E.CAPA. I.M				C 608	EETC1EM-106ZJC	E.CAPA. I.M		
	C 453	NCB31HK-221X	C CAPACITOR				C 609	EETC1HM-106ZJC	E.CAPA. I.M		
	C 454	NCB31HK-681X	C CAPACITOR				C 610	EETC1HM-106ZJC	E.CAPA. I.M		
	C 457	NCB31HK-103X	C CAPACITOR				C 611	EETC1HM-225ZJC	E.CAPA. I.M		
	C 500	EETC1AM-477ZJC	E CAPACITOR				C 612	EETC1HM-225ZJC	E.CAPA. I.M		
	C 501	NCS31HJ-470X	C.CAPA. C.M				C 613	NCB31HK-102X	C CAPACITOR		
	C 502	NCS31HJ-221X	C.CAPA. C.M				C 614	NCB31HK-102X	C CAPACITOR		
	C 503	NCS31HJ-471X	C CAPACITOR				C 615	NCB31HK-103X	C CAPACITOR		
	C 504	EETC1AM-477ZJC	E CAPACITOR				C 616	NCB31HK-103X	C CAPACITOR		
	C 505	NCS31HJ-470X	C.CAPA. C.M				C 617	NCB31HK-103X	C CAPACITOR		
	C 506	NCS31HJ-221X	C.CAPA. C.M				C 618	NCB31HK-103X	C CAPACITOR		
	C 507	NCS31HJ-471X	C CAPACITOR				C 619	EETC1HM-106ZJC	E.CAPA. I.M		
	C 508	NCB31CK-104X	C CAPACITOR				C 620	NCS31HJ-101X	C.CAPA. C.M		
	C 509	NCS31HJ-470X	C.CAPA. C.M				C 621	EETC1HM-475ZJC	E.CAPA. I.M		
	C 510	NCS31HJ-221X	C.CAPA. C.M				C 622	EETC1HM-475ZJC	E.CAPA. I.M		
	C 511	NCS31HJ-471X	C CAPACITOR				C 623	QETN1HM-475Z	E CAPACITOR	4.7MF 20% 50V	
	C 515	QFLC1HJ-223Z	M CAPACITOR	.022MF 5% 50V			C 625	QETN1AM-107Z	E CAPACITOR	100MF 20% 10V	
	C 516	QFLC1HJ-223Z	M CAPACITOR	.022MF 5% 50V			C 626	EETC1HM-475ZJC	E.CAPA. I.M		
	C 517	QFLC1HJ-223Z	M CAPACITOR	.022MF 5% 50V			C 627	QFVJ1HJ-274Z	MF CAPACITOR	.27MF 5% 50V	
	C 518	QFLC1HJ-223Z	M CAPACITOR	.022MF 5% 50V			C 628	QFLC1HJ-822Z	M CAPACITOR	8200PF 5% 50V	
	C 519	EETC1EM-106ZJC	E.CAPA. I.M				C 629	QFLC1HJ-153Z	M CAPACITOR	.015MF 5% 50V	
	C 520	EETC1EM-106ZJC	E.CAPA. I.M				C 630	QCBB1HK-473Y	C CAPACITOR	.047MF 10% 50V	
	C 521	NCS31HJ-100X	C CAPACITOR				C 631	QFVJ1HJ-224Z	MF CAPACITOR	.22MF 5% 50V	
	C 522	NCS31HJ-100X	C CAPACITOR				C 632	QFLC1HJ-273Z	M CAPACITOR	.027MF 5% 50V	
	C 525	EETC1HM-105ZJC	E.CAPA. I.M				C 633	EETC1HM-225ZJC	E.CAPA. I.M		
	C 526	QFLC1HJ-223Z	M CAPACITOR	.022MF 5% 50V			C 634	NCS31HJ-101X	C.CAPA. C.M		
	C 527	QDGB1HK-102Y	C CAPACITOR				C 635	QETN1CM-476Z	E CAPACITOR	47MF 20% 16V	
	C 528	FQCF31HP-103Z	D.CAPACITOR				C 636	QETN1CM-476Z	E CAPACITOR	47MF 20% 16V	
	C 531	NCB31HK-221X	C CAPACITOR				C 637	EETC1HM-105ZJC	E.CAPA. I.M		
	C 532	NCB31HK-221X	C CAPACITOR				C 638	QETN1CM-476Z	E CAPACITOR	47MF 20% 16V	
	C 533	NCB31HK-221X	C CAPACITOR				C 640	QFVJ1HJ-274Z	MF CAPACITOR	.27MF 5% 50V	
	C 534	NCB31HK-221X	C CAPACITOR				C 641	NCB31CK-273X	C CAPACITOR		
	C 535	NCB31HK-222X	C CAPACITOR				C 642	EETC1AM-107ZJC	E.CAPA. I.M		
	C 536	NCB31HK-222X	C.CAPA. C.M				C 643	EETC1CM-476ZJC	E CAPACITOR		
	C 542	QETN1AM-477Z	E CAPACITOR	470MF 20% 10V			C 644	NCF31CZ-104X	C CAPACITOR		
	C 543	EETC1AM-107ZJC	E.CAPA. I.M				C 645	NCF31CZ-104X	C CAPACITOR		
	C 544	NCF31CZ-104X	C CAPACITOR				C 650	EETC1CM-106ZJC	E.CAPACITOR		
	C 545	EETC1AM-107ZJC	E.CAPA. I.M				C 651	EETC1CM-106ZJC	E.CAPACITOR		
	C 546	NCF31CZ-104X	C CAPACITOR				C 652	EETC1CM-106ZJC	E.CAPACITOR		
	C 547	NCB31HK-331X	C CAPACITOR				C 655	EETC1HM-105ZJC	E.CAPACITOR		

■ Electrical parts list (Input board)

Block No. 02

△	Item	Parts number	Parts name	Remarks	Area	△	Item	Parts number	Parts name	Remarks	Area
	C 656	EETC1HM-105ZJC	E.CAPA. I.M				C1561	QCZ0202-155Z	ML C CAPA I/M	1.5MF	
	C 657	EETC1HM-106ZJC	E.CAPA. I.M				C1562	QCZ0202-155Z	ML C CAPA I/M	1.5MF	
	C 660	EETC1CM-476ZJC	E.CAPA. I.M				C1563	QDGB1HK-103Y	C CAPACITOR		
	C 661	EETC1CM-106ZJC	E.CAPACITOR				C1564	EETC0JM-477ZJC	C.CAPACITOR		
	C 666	EETC1CM-476ZJC	E.CAPA. I.M				C1565	EETC0JM-477ZJC	C.CAPACITOR		
	C 667	EETC1HM-105ZJC	E.CAPACITOR				C1566	EETC0JM-477ZJC	C.CAPACITOR		
	C 668	EETC1HM-106ZJC	E.CAPA. I.M				C1567	NCB31HK-103X	C CAPACITOR		
	C 670	EETC1HM-224ZJC	E.CAPA. I.M				C1568	NCB31AK-224X	C CAPACITOR		
	C 671	EETC1HM-105ZJC	E.CAPA. I.M				C1580	QCZ0202-155Z	ML C CAPA I/M	1.5MF	
	C 672	EETC1HM-105ZJC	E.CAPA. I.M				C1581	QCZ0202-155Z	ML C CAPA I/M	1.5MF	
	C 673	EETC1CM-227ZJC	E CAPACITOR				C1582	QCZ0202-155Z	ML C CAPA I/M	1.5MF	
	C 674	NCB31HK-472X	C CAPACITOR				C1583	QCZ0202-155Z	ML C CAPA I/M	1.5MF	
	C 675	EETC1CM-106ZJC	E.CAPACITOR				C1584	EETC0JM-477ZJC	C.CAPACITOR		
	C 678	EETC1HM-224ZJC	E.CAPA. I.M				C1585	EETC0JM-477ZJC	C.CAPACITOR		
	C 679	NCB31CK-683X	C CAPACITOR				C1586	EETC0JM-477ZJC	C.CAPACITOR		
	C 680	NCB31HK-472X	C CAPACITOR				C1587	NCB31HK-103X	C CAPACITOR		
	C 681	NCB31CK-683X	C CAPACITOR				C1588	NCB31AK-224X	C CAPACITOR		
	C 682	EETC1CM-227ZJC	E CAPACITOR				C1590	NCF31CZ-104X	C CAPACITOR		
	CN500	QGF1205C1-17	CONNECTOR				C1591	NCF31CZ-104X	C CAPACITOR		
	CN505	QGF1205C1-14	CONNECTOR				C1592	NCF31CZ-104X	C CAPACITOR		
	CN510	QGF1205C1-10	CONNECTOR				C1593	NCF31CZ-104X	C CAPACITOR		
	CN513	QGD2504C1-04Z	SOCKET I.M				D 420	1SS133-T2	SI DIODE IM		
	CN521	QGB1214J1-14S	CONNECTOR				D 421	DZ5.1BSB-T2	ZENER DIODE		
	CN530	QGB2510K2-09	CONNECTOR				D 500	1SS133-T2	SI DIODE IM		
	CN531	QGB2510K2-08	CONNECTOR				D 501	1SS133-T2	SI DIODE IM		
	CN540	QGF1016C1-09	CONNECTOR				D 502	1SS133-T2	SI DIODE IM		
	CN541	QGF1016C1-17	CONNECTOR				D 531	1SS133-T2	SI DIODE IM		
	CN542	QGF1205F1-10	CONNECTOR				D 532	1SS133-T2	SI DIODE IM		
	CN550	QGF1205F1-09	CONNECTOR				D 533	1SS133-T2	SI DIODE IM		
	C1400	EETC1CM-227ZJC	E CAPACITOR				D 534	1SS133-T2	SI DIODE IM		
	C1401	NCB31HK-471X	C CAPACITOR				D 545	1SS119-02-T2	SI DIODE		
	C1406	QDGB1HK-102Y	C CAPACITOR				D 546	DZ3.9BSB-T2	Z.DIODE		
	C1407	QDGB1HK-102Y	C CAPACITOR				D 547	DZ3.9BSB-T2	Z.DIODE		
	C1408	QDGB1HK-102Y	C CAPACITOR				D 600	1SS133-T2	SI DIODE IM		
	C1409	QDGB1HK-103Y	C CAPACITOR				D 601	1SS133-T2	SI DIODE IM		
	C1410	NCS31HJ-470X	C.CAPA. C.M				D 605	1SS133-T2	SI DIODE IM		
	C1411	NCS31HJ-470X	C.CAPA. C.M				D 606	1SS133-T2	SI DIODE IM		
	C1412	NCS31HJ-470X	C.CAPA. C.M				D1401	1SS119-02-T2	SI DIODE		
	C1501	EETC1AM-107ZJC	E.CAPA. I.M				D1402	1SS119-02-T2	SI DIODE		
	C1502	NCB31HK-123X	C CAPACITOR				D1403	DZ3.9BSB-T2	Z.DIODE		
	C1503	NCB31HK-152X	C CAPACITOR				D1406	1SS119-02-T2	SI DIODE		
	C1504	NCS31HJ-101X	C.CAPA. C.M				IC500	MN101C49GEH1	IC	PP ONE-TIME UCO	
	C1505	NCB31CK-333X	C CAPACITOR				IC501	MN35505-X	IC C M		
	C1506	NCB31HK-102X	C CAPACITOR				IC502	MN35505-X	IC C M	PENDING	
	C1507	NCB31HK-123X	C CAPACITOR				IC503	MN35505-X	IC C M	PENDING	
	C1508	NCB31HK-152X	C CAPACITOR				IC511	BA15218F-XE	IC		
	C1509	NCS31HJ-101X	C.CAPA. C.M				IC512	BA15218F-XE	IC		
	C1510	NCB31CK-333X	C CAPACITOR				IC513	BA15218F-XE	IC		
	C1511	NCB31HK-102X	C CAPACITOR				IC514	BA15218F-XE	IC		
	C1513	EETC1AM-107ZJC	E.CAPA. I.M				IC515	BA15218F-XE	IC		
	C1531	EETC1AM-107ZJC	E.CAPA. I.M				IC516	BA15218F-XE	IC		
	C1532	NCB31HK-123X	C CAPACITOR				IC521	LC75345M-X	IC		
	C1533	NCB31HK-152X	C CAPACITOR				IC522	LC75342M-X	IC		
	C1534	NCS31HJ-101X	C.CAPA. C.M				IC523	LC75342M-X	IC		
	C1535	NCB31CK-333X	C CAPACITOR				IC531	BA15218F-XE	IC		
	C1536	NCB31HK-102X	C CAPACITOR				IC532	BA15218F-XE	IC		
	C1537	NCB31HK-123X	C CAPACITOR				IC533	BA15218F-XE	IC		
	C1538	NCB31HK-152X	C CAPACITOR				IC534	BA15218F-XE	IC		
	C1539	NCS31HJ-101X	C.CAPA. C.M				IC535	BA15218F-XE	IC		
	C1540	NCB31CK-333X	C CAPACITOR				IC536	BA15218F-XE	IC		
	C1541	NCB31HK-102X	C CAPACITOR				IC550	LV1100	IC		
	C1543	EETC1AM-107ZJC	E.CAPA. I.M				IC560	BA3838F-X	IC		
	C1560	QCZ0202-155Z	ML C CAPA I/M	1.5MF			J 500	QNZ0430-001	AV JACK		

■ Electrical parts list (Input board)

Block No. 02

△	Item	Parts number	Parts name	Remarks	Area	△	Item	Parts number	Parts name	Remarks	Area
	J 501	QNN0167-001	PIN JACK				R 414	NRSA63J-104X	MG RESISTOR		
	J 502	QNS0009-001	3.5 JACK				R 420	NRSA63J-473X	MG RESISTOR		
	K 401	NQR0428-002X	F.BEADS C.M				R 421	QRE141J-225Y	C RESISTOR	2.2M 5% 1/4W	
	K 402	NQR0428-002X	F.BEADS C.M				R 422	QRE141J-220Y	C RESISTOR	22 5% 1/4W	
	K 403	NQR0428-002X	F.BEADS C.M				R 423	NRSA63J-104X	MG RESISTOR		
	K 404	NQR0428-002X	F.BEADS C.M				R 424	QRJ146J-4R7X	UNF C RESISTOR	4.7 5% 1/4W	
	K 420	QQR1183-001Z	FERRITE BEADS				R 430	NRSA63J-273X	MG RESISTOR		
	K 421	QQR1183-001Z	FERRITE BEADS				R 431	NRSA63J-273X	MG RESISTOR		
	K 422	QQR1183-001Z	FERRITE BEADS				R 432	NRSA63J-183X	MG RESISTOR		
	K 423	QQR1183-001Z	FERRITE BEADS				R 433	NRSA63J-183X	MG RESISTOR		
	K 424	QQR1183-001Z	FERRITE BEADS				R 434	NRSA63J-362X	MG RESISTOR		
	K 425	QQR1183-001Z	FERRITE BEADS				R 435	NRSA63J-183X	MG RESISTOR		
	K 428	QQR1183-001Z	FERRITE BEADS				R 436	NRSA63J-332X	MG RESISTOR		
	K 429	QQR1183-001Z	FERRITE BEADS				R 437	NRSA63J-362X	MG RESISTOR		
	K 532	QQR1183-001Z	FERRITE BEADS				R 440	NRSA63J-112X	MG RESISTOR		
	K1561	NQR0428-002X	F.BEADS C.M				R 441	NRSA63J-681X	MG RESISTOR		
	K1562	NQR0428-002X	F.BEADS C.M				R 442	NRSA63J-112X	MG RESISTOR		
	K1580	NQR0428-002X	F.BEADS C.M				R 443	NRSA63J-183X	MG RESISTOR		
	K1581	NQR0428-002X	F.BEADS C.M				R 450	NRSA63J-273X	MG RESISTOR		
	L 500	QQL231K-2R2Y	INDUCTOR				R 451	NRSA63J-273X	MG RESISTOR		
	L 501	QQL231K-5R6Y	INDUCTOR				R 452	NRSA63J-183X	MG RESISTOR		
	L 502	QQL231K-2R2Y	INDUCTOR				R 453	NRSA63J-183X	MG RESISTOR		
	L 503	QQL231K-5R6Y	INDUCTOR				R 454	NRSA63J-362X	MG RESISTOR		
	L 504	QQL231K-2R2Y	INDUCTOR				R 455	NRSA63J-183X	MG RESISTOR		
	L 505	QQL231K-5R6Y	INDUCTOR				R 456	NRSA63J-332X	MG RESISTOR		
	L 545	QQL231K-2R2Y	INDUCTOR				R 457	NRSA63J-362X	MG RESISTOR		
	Q 420	2SD601A/RS/-X	TRANSISTOR				R 460	NRSA63J-112X	MG RESISTOR		
	Q 421	2SD601A/RS/-X	TRANSISTOR				R 461	NRSA63J-681X	MG RESISTOR		
	Q 500	2SB709A/QR/-X	TRANSISTOR				R 462	NRSA63J-112X	MG RESISTOR		
	Q 501	2SB709A/QR/-X	TRANSISTOR				R 463	NRSA63J-183X	MG RESISTOR		
	Q 502	2SB709A/QR/-X	TRANSISTOR				R 470	NRSA63J-472X	MG RESISTOR		
	Q 505	2SB709A/QR/-X	TRANSISTOR				R 471	NRSA63J-472X	MG RESISTOR		
	Q 506	UN2214-X	TRANSISTOR				R 472	NRSA63J-472X	MG RESISTOR		
	Q 507	UN2111-X	TRANSISTOR				R 500	QRE141J-680Y	C RESISTOR	68 5% 1/4W	
	Q 515	UN2111-X	TRANSISTOR				R 501	NRSA63J-221X	MG RESISTOR		
	Q 516	2SD601A/RS/-X	TRANSISTOR				R 502	NRSA63J-151X	MG RESISTOR		
	Q 517	2SD601A(Q,R)-TX	TRANSISTOR				R 503	NRSA63J-151X	MG RESISTOR		
	Q 531	2SD601A/RS/-X	TRANSISTOR				R 504	QRE141J-561Y	C RESISTOR	560 5% 1/4W	
	Q 532	2SD601A/RS/-X	TRANSISTOR				R 505	NRSA63J-750X	MG RESISTOR		
	Q 534	2SD601A/RS/-X	TRANSISTOR				R 506	NRSA63J-221X	MG RESISTOR		
	Q 535	2SD601A/RS/-X	TRANSISTOR				R 507	NRSA63J-151X	MG RESISTOR		
	Q 545	UN2214-X	TRANSISTOR				R 508	NRSA63J-151X	MG RESISTOR		
	Q 546	2SD601A/RS/-X	TRANSISTOR				R 509	QRE141J-561Y	C RESISTOR	560 5% 1/4W	
	Q 547	2SD601A/RS/-X	TRANSISTOR				R 510	NRSA63J-750X	MG RESISTOR		
	Q 548	2SD601A/RS/-X	TRANSISTOR				R 511	NRSA63J-221X	MG RESISTOR		
	Q 549	2SD601A/RS/-X	TRANSISTOR				R 512	NRSA63J-151X	MG RESISTOR		
	Q 550	2SD601A/RS/-X	TRANSISTOR				R 513	NRSA63J-151X	MG RESISTOR		
	Q 551	2SD601A/RS/-X	TRANSISTOR				R 514	QRE141J-561Y	C RESISTOR	560 5% 1/4W	
	Q 600	2SD601A/RS/-X	TRANSISTOR				R 515	NRSA63J-563X	MG RESISTOR		
	Q 601	2SD601A/RS/-X	TRANSISTOR				R 516	NRSA63J-563X	MG RESISTOR		
	Q 602	2SD601A/RS/-X	TRANSISTOR				R 517	NRSA63J-472X	MG RESISTOR		
	R 401	QRE141J-470Y	C RESISTOR	47 5% 1/4W			R 518	NRSA63J-472X	MG RESISTOR		
	R 402	NRSA63J-471X	MG RESISTOR				R 521	NRSA63J-823X	MG RESISTOR		
	R 403	NRSA63J-471X	MG RESISTOR				R 522	NRSA63J-823X	MG RESISTOR		
	R 404	NRSA63J-471X	MG RESISTOR				R 525	QRE141J-682Y	C RESISTOR	6.8K 5% 1/4W	
	R 405	NRSA63J-471X	MG RESISTOR				R 526	QRE141J-682Y	C RESISTOR	6.8K 5% 1/4W	
	R 406	QRE141J-101Y	C RESISTOR	100 5% 1/4W			R 527	NRSA63J-221X	MG RESISTOR		
	R 408	NRSA63J-471X	MG RESISTOR				R 528	NRSA63J-222X	MG RESISTOR		
	R 409	NRSA63J-471X	MG RESISTOR				R 529	NRSA63J-222X	MG RESISTOR		
	R 410	NRSA63J-332X	MG RESISTOR				R 531	NRSA63J-103X	MG RESISTOR		
	R 411	QRE141J-101Y	C RESISTOR	100 5% 1/4W			R 532	NRSA63J-103X	MG RESISTOR		
	R 412	NRSA63J-104X	MG RESISTOR				R 533	NRSA63J-683X	MG RESISTOR		
	R 413	NRSA63J-104X	MG RESISTOR				R 534	NRSA63J-683X	MG RESISTOR		

■ Electrical parts list (Input board)

Block No. 02

△	Item	Parts number	Parts name	Remarks	Area	△	Item	Parts number	Parts name	Remarks	Area
	R 535	NRSA63J-201X	MG RESISTOR				R 622	QRE141J-104Y	C RESISTOR	100K 5% 1/4W	
	R 536	NRSA63J-201X	MG RESISTOR				R 623	QRE141J-271Y	C RESISTOR	270 5% 1/4W	
	R 537	NRSA63J-222X	MG RESISTOR				R 624	QRE141J-473Y	C RESISTOR	47K 5% 1/4W	
	R 538	NRSA63J-222X	MG RESISTOR				R 625	NRSA63J-473X	MG RESISTOR		
	R 539	NRSA63J-472X	MG RESISTOR				R 626	NRSA63J-104X	MG RESISTOR		
	R 540	NRSA63J-472X	MG RESISTOR				R 627	NRSA63J-104X	MG RESISTOR		
	R 541	NRSA63J-272X	MG RESISTOR				R 628	QRE141J-683Y	C RESISTOR	82K 5% 1/4W	
	R 543	NRSA63J-102X	MG RESISTOR				R 629	QRE141J-103Y	C RESISTOR	2.2K 5% 1/4W	
	R 544	NRSA63J-102X	MG RESISTOR				R 630	NRSA63J-224X	MG RESISTOR		
	R 545	NRSA63J-222X	MG RESISTOR				R 631	NRSA63J-101X	MG RESISTOR		
	R 546	NRSA63J-222X	MG RESISTOR				R 632	NRSA63J-101X	MG RESISTOR		
	R 547	QRE141J-102Y	C RESISTOR	1.0K 5% 1/4W			R 634	NRSA63J-153X	MG RESISTOR		
	R 548	NRSA63J-472X	MG RESISTOR				R 635	NRSA63J-223X	MG RESISTOR		
	R 549	NRSA63J-472X	MG RESISTOR				R 636	NRSA63J-562X	MG RESISTOR		
	R 553	NRSA63J-105X	MG RESISTOR				R 637	NRSA63J-182X	MG RESISTOR		
	R 554	NRSA63J-103X	MG RESISTOR				R 638	NRSA63J-223X	MG RESISTOR		
	R 555	NRSA63J-103X	MG RESISTOR				R 639	NRSA63J-223X	MG RESISTOR		
	R 556	NRSA63J-221X	MG RESISTOR				R 641	QRE141J-184Y	C RESISTOR	180K 5% 1/4W	
	R 557	NRSA63J-221X	MG RESISTOR				R 650	NRSA63J-222X	MG RESISTOR		
	R 558	NRSA63J-101X	MG RESISTOR				R 651	NRSA63J-222X	MG RESISTOR		
	R 560	NRSA63J-153X	MG RESISTOR				R 652	NRSA63J-222X	MG RESISTOR		
	R 561	NRSA63J-123X	MG RESISTOR				R 660	NRSA63J-222X	MG RESISTOR		
	R 562	NRSA63J-223X	MG RESISTOR				R 661	NRSA63J-222X	MG RESISTOR		
	R 563	NRSA63J-472X	MG RESISTOR				R 662	NRSA63J-222X	MG RESISTOR		
	R 564	NRSA63J-223X	MG RESISTOR				R 663	NRSA63J-222X	MG RESISTOR		
	R 565	NRSA63J-303X	MG RESISTOR				R 670	NRSA63J-102X	MG RESISTOR		
	R 566	NRSA63J-222X	MG RESISTOR				R 671	NRSA63J-102X	MG RESISTOR		
	R 567	NRSA63J-222X	MG RESISTOR				R 672	NRSA63J-513X	MG RESISTOR		
	R 569	NRSA63J-222X	MG RESISTOR				R 673	NRSA63J-513X	MG RESISTOR		
	R 571	QRE141J-303Y	C RESISTOR	30K 5% 1/4W			R 674	NRSA63J-105X	MG RESISTOR		
	R 572	QRE141J-303Y	C RESISTOR	30K 5% 1/4W			R1400	NRSA63J-103X	MG RESISTOR		
	R 573	NRSA63J-562X	MG RESISTOR				R1403	NRSA63J-112X	MG RESISTOR		
	R 574	NRSA63J-203X	MG RESISTOR				R1405	NRSA63J-100X	MG RESISTOR		
	R 575	NRSA63J-562X	MG RESISTOR				R1406	NRSA63J-102X	MG RESISTOR		
	R 576	NRSA63J-203X	MG RESISTOR				R1407	NRSA63J-102X	MG RESISTOR		
	R 577	NRSA63J-362X	MG RESISTOR				R1408	NRSA63J-102X	MG RESISTOR		
	R 578	NRSA63J-362X	MG RESISTOR				R1409	NRSA63J-103X	MG RESISTOR		
	R 580	NRSA63J-102X	MG RESISTOR				R1410	QRE141J-681Y	C RESISTOR	680 5% 1/4W	
	R 582	NRSA63J-104X	MG RESISTOR				R1411	NRSA63J-102X	MG RESISTOR		
	R 583	NRSA63J-103X	MG RESISTOR				R1412	NRSA63J-103X	MG RESISTOR		
	R 584	NRSA63J-103X	MG RESISTOR				R1500	NRSA63J-821X	MG RESISTOR		
	R 585	NRSA63J-101X	MG RESISTOR				R1501	NRSA63J-471X	MG RESISTOR		
	R 600	NRSA63J-752X	MG RESISTOR				R1502	NRSA63J-183X	MG RESISTOR		
	R 601	NRSA63J-752X	MG RESISTOR				R1503	NRSA63J-681X	MG RESISTOR		
	R 602	NRSA63J-222X	MG RESISTOR				R1504	NRSA63J-363X	MG.RES C.M		
	R 603	NRSA63J-222X	MG RESISTOR				R1505	NRSA63J-102X	MG RESISTOR		
	R 604	NRSA63J-222X	MG RESISTOR				R1506	NRSA63J-362X	MG RESISTOR		
	R 605	NRSA63J-332X	MG RESISTOR				R1507	NRSA63J-272X	MG RESISTOR		
	R 606	NRSA63J-332X	MG RESISTOR				R1508	NRSA63J-183X	MG RESISTOR		
	R 607	NRSA63J-303X	MG RESISTOR				R1509	NRSA63J-183X	MG RESISTOR		
	R 608	NRSA63J-303X	MG RESISTOR				R1510	NRSA63J-272X	MG RESISTOR		
	R 609	QRE141J-274Y	C RESISTOR	270K 5% 1/4W			R1511	NRSA63J-303X	MG RESISTOR		
	R 610	QRE141J-104Y	C RESISTOR	100K 5% 1/4W			R1512	NRSA63J-303X	MG RESISTOR		
	R 611	QRE141J-104Y	C RESISTOR	100K 5% 1/4W			R1514	NRSA63J-183X	MG RESISTOR		
	R 612	NRSA63J-224X	MG RESISTOR				R1515	NRSA63J-821X	MG RESISTOR		
	R 613	QRE141J-224Y	C RESISTOR	220K 5% 1/4W			R1516	NRSA63J-471X	MG RESISTOR		
	R 614	NRSA63J-104X	MG RESISTOR				R1517	NRSA63J-681X	MG RESISTOR		
	R 615	NRSA63J-104X	MG RESISTOR				R1518	NRSA63J-362X	MG RESISTOR		
	R 616	NRSA63J-223X	MG RESISTOR				R1519	NRSA63J-363X	MG.RES C.M		
	R 617	NRSA63J-223X	MG RESISTOR				R1520	NRSA63J-102X	MG RESISTOR		
	R 619	NRSA63J-563X	MG RESISTOR				R1521	NRSA63J-183X	MG RESISTOR		
	R 620	QRE141J-182Y	C RESISTOR	1.8K 5% 1/4W			R1522	NRSA63J-183X	MG RESISTOR		
	R 621	QRE141J-822Y	C RESISTOR	8.2K 5% 1/4W			R1523	NRSA63J-303X	MG RESISTOR		

■ Electrical parts list (Input board)

Block No. 02

△	Item	Parts number	Parts name	Remarks	Area
	R1524	NRSA63J-303X	MG RESISTOR		
	R1525	NRSA63J-272X	MG RESISTOR		
	R1526	NRSA63J-272X	MG RESISTOR		
	R1530	NRSA63J-821X	MG RESISTOR		
	R1531	NRSA63J-471X	MG RESISTOR		
	R1532	NRSA63J-183X	MG RESISTOR		
	R1533	NRSA63J-681X	MG RESISTOR		
	R1534	NRSA63J-363X	MG.RES C.M		
	R1535	NRSA63J-102X	MG RESISTOR		
	R1536	NRSA63J-362X	MG RESISTOR		
	R1537	NRSA63J-272X	MG RESISTOR		
	R1538	NRSA63J-183X	MG RESISTOR		
	R1539	NRSA63J-183X	MG RESISTOR		
	R1540	NRSA63J-272X	MG RESISTOR		
	R1541	NRSA63J-303X	MG RESISTOR		
	R1542	NRSA63J-303X	MG RESISTOR		
	R1544	NRSA63J-183X	MG RESISTOR		
	R1545	NRSA63J-821X	MG RESISTOR		
	R1546	NRSA63J-471X	MG RESISTOR		
	R1547	NRSA63J-681X	MG RESISTOR		
	R1548	NRSA63J-362X	MG RESISTOR		
	R1549	NRSA63J-363X	MG.RES C.M		
	R1550	NRSA63J-102X	MG RESISTOR		
	R1551	NRSA63J-183X	MG RESISTOR		
	R1552	NRSA63J-183X	MG RESISTOR		
	R1553	NRSA63J-303X	MG RESISTOR		
	R1554	NRSA63J-303X	MG RESISTOR		
	R1555	NRSA63J-272X	MG RESISTOR		
	R1556	NRSA63J-272X	MG RESISTOR		
	R1561	NRSA63J-471X	MG RESISTOR		
	R1562	NRSA63J-471X	MG RESISTOR		
	R1563	NRSA63J-471X	MG RESISTOR		
	R1564	NRSA63J-471X	MG RESISTOR		
	R1565	QRE141J-470Y	C RESISTOR	47 5% 1/4W	
	R1566	QRE141J-101Y	C RESISTOR	100 5% 1/4W	
	R1567	QRE141J-101Y	C RESISTOR	100 5% 1/4W	
	R1568	NRSA63J-332X	MG RESISTOR		
	R1569	QRE141J-470Y	C RESISTOR	22 5% 1/4W	
	R1570	NRSA63J-471X	MG RESISTOR		
	R1571	QCZ020J-471X	MG RESISTOR	470PF 5%	
	R1572	NRSA63J-752X	MG RESISTOR		
	R1573	NRSA63J-752X	MG RESISTOR		
	R1580	QRE141J-470Y	C RESISTOR	47 5% 1/4W	
	R1581	NRSA63J-471X	MG RESISTOR		
	R1582	NRSA63J-471X	MG RESISTOR		
	R1583	NRSA63J-471X	MG RESISTOR		
	R1584	NRSA63J-471X	MG RESISTOR		
	R1585	QUY150-050Y	BUS WIRE		
	R1586	QRE141J-101Y	C RESISTOR	100 5% 1/4W	
	R1587	QRE141J-101Y	C RESISTOR	100 5% 1/4W	
	R1588	NRSA63J-332X	MG RESISTOR		
	R1589	QRE141J-470Y	C RESISTOR	47 5% 1/4W	
	R1590	NRSA63J-471X	MG RESISTOR		
	R1591	NRSA63J-471X	MG RESISTOR		
	R1595	QRE141J-103Y	C RESISTOR	10K 5% 1/4W	
	R1595	QRE141J-103Y	C RESISTOR	10K 5% 1/4W	
	R1666	NRSA63J-102X	MG RESISTOR		
	R1667	NRSA63J-102X	MG RESISTOR		
	R1686	NRSA63J-102X	MG RESISTOR		
	R1687	NRSA63J-102X	MG RESISTOR		
	SP595	E3400-431	SPACER		
	X 500	QAX0671-001Z	RESONATOR I.M		
	X 670	QAX0572-001Z	CRYSTAL		

■ Electrical parts list (Front board)

Block No. 03

△	Item	Parts number	Parts name	Remarks	Area	△	Item	Parts number	Parts name	Remarks	Area
	C 233	QFLC1HJ-104Z	M CAPACITOR	.10MF 5% 50V			C1065	QCBB1HK-151Y	C CAPACITOR	150PF 10% 50V	
	C 801	FQCF31HP-103Z	D CAPACITOR				C1066	QCBB1HK-331Y	C CAPACITOR	330PF 10% 50V	
	C 803	QETN0JM-477Z	E CAPACITOR	470MF 20% 6.3V			C1067	QEK1HM-225Z	E CAPACITOR	2.2MF 20% 50V	
	C 804	QETN0JM-477Z	E CAPACITOR	470MF 20% 6.3V			C1068	QEK1HM-224Z	E CAPACITOR	.22MF 20% 50V	
	C 805	QDGB1HK-102Y	C CAPACITOR				C1070	QDXB1CM-222Y	C CAPACITOR		
	C 808	QCSB1HJ-150Y	C CAPACITOR	15PF 5% 50V			D 801	1N4003S-T5	SI DIODE		
	C 809	QCSB1HJ-150Y	C CAPACITOR	15PF 5% 50V			D 803	1SS119-02-T2	SI DIODE		
	C 815	EETC1HM-226ZJC	E.CAPA. I.M				D 804	1SS119-02-T2	SI DIODE		
	C 816	EETC1CM-476ZJC	E.CAPA. I.M				D 805	1SS119-02-T2	SI DIODE		
	C 817	EETC1HM-226ZJC	E.CAPA. I.M				D 807	1N4003S-T5	SI DIODE		
	C 820	QCZ0202-155Z	ML C CAPA I/M	1.5MF			D 812	1SS119-02-T2	SI DIODE		
	C 821	QDYB1CM-103Y	C CAPACITOR				D 831	DZ5.1BSB-T2	ZENER DIODE		
	C 823	QFVJ1HJ-334Z	MF CAPACITOR	.33MF 5% 50V			D 832	DZ5.1BSB-T2	ZENER DIODE		
	C 831	QDYB1CM-103Y	C CAPACITOR				D 903	QLMP-KB49	LED		
	C 832	QDYB1CM-103Y	C CAPACITOR				D 904	SLA-362LT-T	LED		
	C 835	QDGB1HK-102Y	C CAPACITOR				D 905	QLMP-KB49	LED		
	C 836	EETC1EM-106ZJC	E.CAPA. I.M				D 906	SLR-342VC-T	LED		
	C 837	EETC1AM-107ZJC	E.CAPA. I.M				D 907	SLR-342VC-T	LED		
	C 838	QDGB1HK-102Y	C CAPACITOR				D 908	SLR-342VC-T	LED		
	C 857	EETC1HM-226ZJC	E.CAPA. I.M				D 918	SLA-362LT-T	LED		
	C 872	EETC1HM-224ZJC	E.CAPA. I.M				D 919	SLA-362LT-T	LED		
	C 873	EETC1HM-224ZJC	E.CAPA. I.M				D 920	SLA-362LT-T	LED		
	C 874	QFLC1HJ-104Z	M CAPACITOR	.10MF 5% 50V			D 940	L-192ZSRD-T	LED	AUX	
	C 875	QFLC1HJ-104Z	M CAPACITOR	.10MF 5% 50V			D 941	L-192ZSRD-T	LED	TUNER	
	C 889	EETC1HM-475ZJC	E.CAPA. I.M				D 942	L-192ZSRD-T	LED	TAPE	
	C 901	QDYB1CM-103Y	C CAPACITOR				D 943	L-192ZSRD-T	LED	DVD	
	C 902	QDYB1CM-103Y	C CAPACITOR				D 944	L-192ZSRD-T	LED	TUNER	
	C 935	QDYB1CM-103Y	C CAPACITOR				D 945	L-192ZSRD-T	LED	AUX	
	C 956	QDYB1CM-103Y	C CAPACITOR				D 953	L-192ZSRD-T	LED	TAPE	
	C 957	QDYB1CM-103Y	C CAPACITOR				D 954	L-192ZSRD-T	LED	DVD	
	C 960	QDYB1CM-103Y	C CAPACITOR				D 956	QLMP-KB49	LED	SOUND MODE	
	C 961	QDYB1CM-103Y	C CAPACITOR				D 957	SLA-362LT-T	LED	SOUND MODE	
	C 962	QDYB1CM-103Y	C CAPACITOR				D 960	QLMP-KB49	LED	WOOFER	
	C 963	QDYB1CM-103Y	C CAPACITOR				D 961	SLA-362LT-T	LED	WOOFER	
	CN316	QGF1210G1-09	CONNECTOR				D 962	L-192ZSRD-T	LED	STANDBY	
	CN860	QGF1205F1-17	CONNECTOR				D 964	1SS133-T2	SI DIODE IM		
	CN861	QGF1205F1-14	CONNECTOR				D1003	DZ2.4BSB-T2	ZENER DIODE		
	CN870	QGD2503F1-11	CONNECTOR				D1021	DZ5.1BSB-T2	ZENER DIODE		
	CN881	QGF1210G1-24	FFC/FPC CONNE				D1061	1SS133-T2	SI DIODE IM		
	CN920	QGF1205F1-24	CONNECTOR				D1062	DZ2.4BSB-T2	ZENER DIODE		
	C1004	QDGB1HK-102Y	C CAPACITOR				FL801	QLF0081-001	FL TUBE		
	C1005	QDGB1HK-102Y	C CAPACITOR				FW230	QUM153-11DGZ4	PARA RIBON WIRE		
	C1006	QDGB1HK-102Y	C CAPACITOR				FW713	QUM023-33DGZ4	FLAT WIRE		
	C1021	QDGB1HK-102Y	C CAPACITOR				FW901	QUM02B-13DGZ4	PARA RIBON WIRE		
	C1022	QDGB1HK-102Y	C CAPACITOR				FW915	QUM027-18Z4Z4	PARA RIBON WIRE		
	C1023	QDGB1HK-102Y	C CAPACITOR				IC810	MN101C35DEG	IC		
	C1034	QFLC1HJ-104Z	M CAPACITOR	.10MF 5% 50V			IC811	BU2092	IC		
	C1035	EETC1AM-107ZJC	E.CAPA. I.M				IC812	BA3835S	IC		
	C1036	QCBB1HK-101Y	C CAPACITOR	100PF 10% 50V			IC830	KIA7042AP-T	IC		
	C1037	QDYB1CM-103Y	C CAPACITOR				IC901	BA15218N	IC		
	C1038	QDXB1CM-472Y	C CAPACITOR				IC902	BU9253AS	IC		
	C1039	QDYB1CM-103Y	C CAPACITOR				IC951	GP1U271X	IC		
	C1040	QDXB1CM-332Y	C CAPACITOR				JS901	QSW0911-001	V.RES		
	C1041	QDYB1CM-103Y	C CAPACITOR				JS956	QSW0912-001	ROTARY SW	S/WOOFER VOL	
	C1042	EETC1EM-226ZJC	E.CAPA. I.M				JS960	QSW0911-001	ROTARY SW	S/MODE VOL	
	C1043	QFVJ1HJ-474Z	MF CAPACITOR	.47MF 5% 50V			JS962	QSW0862-001	ROTARY SWITCH	MAIN VOL	
	C1044	QDYB1CM-103Y	C CAPACITOR				J1001	QNS0183-001	PHONE JACK	HEAD PHONE	
	C1045	EETC1HM-225ZJC	E.CAPA. I.M				J1021	QNS0184-001	PHONE JACK		
	C1046	EETC1HM-105ZJC	E.CAPA. I.M				J1022	QNS0184-001	PHONE JACK		
	C1061	QEK1AM-227Z	E CAPACITOR	220MF 20% 10V			L 801	QQL29BJ-100Z	INDUCTOR		
	C1062	EEK1AM-107ZJC	E CAPACITOR				L 802	QQL231K-220Y	INDUCTOR		
	C1063	EEK1HM-475ZJC	E CAPACITOR				L 803	QQL29BJ-100Z	INDUCTOR		
	C1064	QCBB1HK-151Y	C CAPACITOR	150PF 10% 50V			L 805	QQL29BJ-100Z	INDUCTOR		

■ Electrical parts list (Front board)

Block No. 03

△	Item	Parts number	Parts name	Remarks	Area	△	Item	Parts number	Parts name	Remarks	Area
	L 806	QQL29BJ-100Z	INDUCTOR				R 845	QRE141J-102Y	C RESISTOR	1.0K 5% 1/4W	
	L 813	QQR1183-001Z	FERRITE BEADS				R 846	QRE141J-102Y	C RESISTOR	1.0K 5% 1/4W	
	L1003	QQL231K-2R2Y	INDUCTOR				R 847	QRE141J-102Y	C RESISTOR	1.0K 5% 1/4W	
	Q 809	2SD1991A/RS/-T	TRANSISTOR				R 848	QRE141J-331Y	C RESISTOR	330 5% 1/4W	
	Q 810	2SD1991A/RS/-T	TRANSISTOR				R 849	QRE141J-102Y	C RESISTOR	1.0K 5% 1/4W	
	Q 811	2SD1991A/RS/-T	TRANSISTOR				R 850	QRE141J-102Y	C RESISTOR	1.0K 5% 1/4W	
	Q 812	2SD1991A/RS/-T	TRANSISTOR				R 851	QRE141J-102Y	C RESISTOR	1.0K 5% 1/4W	
	Q 813	2SD1991A/RS/-T	TRANSISTOR				R 852	QRE141J-102Y	C RESISTOR	1.0K 5% 1/4W	
	Q 816	2SD1991A/RS/-T	TRANSISTOR				R 854	QRE141J-102Y	C RESISTOR	1.0K 5% 1/4W	
	Q 817	2SD1991A/RS/-T	TRANSISTOR				R 855	QRE141J-102Y	C RESISTOR	1.0K 5% 1/4W	
	Q 858	2SD1991A/RS/-T	TRANSISTOR				R 856	QRE141J-104Y	C RESISTOR	100K 5% 1/4W	
	Q 875	KRC102M-T	D.TRANSISTOR				R 857	QRE141J-104Y	C RESISTOR	100K 5% 1/4W	
	Q 879	2SD1991A/RS/-T	TRANSISTOR				R 858	QRE141J-104Y	C RESISTOR	100K 5% 1/4W	
	Q 890	2SD1991A/RS/-T	TRANSISTOR				R 859	QRE141J-104Y	C RESISTOR	100K 5% 1/4W	
	Q 905	KRC104M-T	D.TR.I.M				R 865	QRE141J-104Y	C RESISTOR	100K 5% 1/4W	
	Q 906	KRC104M-T	D.TR.I.M				R 866	QRE141J-104Y	C RESISTOR	100K 5% 1/4W	
	Q 918	KRC102M-T	D.TRANSISTOR				R 867	QRE141J-104Y	C RESISTOR	100K 5% 1/4W	
	Q 919	KRC102M-T	D.TRANSISTOR				R 868	QRE141J-104Y	C RESISTOR	100K 5% 1/4W	
	Q 920	KRC102M-T	D.TRANSISTOR				R 869	QRE141J-104Y	C RESISTOR	100K 5% 1/4W	
	Q 961	KRA102M-T	D.TRANSISTOR				R 870	QRE141J-104Y	C RESISTOR	100K 5% 1/4W	
	Q1021	KRA111M-T	D.TR.I.M				R 871	QRE141J-104Y	C RESISTOR	100K 5% 1/4W	
	Q1022	KRA111M-T	D.TR.I.M				R 872	QRE141J-104Y	C RESISTOR	100K 5% 1/4W	
	Q1023	KRA111M-T	D.TR.I.M				R 873	QRE141J-104Y	C RESISTOR	100K 5% 1/4W	
	Q1061	2SC3576-JVC-T	TRANSISTOR I/M				R 874	QRE141J-104Y	C RESISTOR	100K 5% 1/4W	
	R 151	QRE141J-221Y	C RESISTOR	220 5% 1/4W			R 876	QRE141J-103Y	C RESISTOR	10K 5% 1/4W	
	R 233	QRK126J-470X	C RESISTOR	47 5% 1/2W			R 877	QRE141J-103Y	C RESISTOR	10K 5% 1/4W	
	R 234	QRK126J-470X	C RESISTOR	47 5% 1/2W			R 878	QRE141J-104Y	C RESISTOR	100K 5% 1/4W	
	R 801	QRE141J-331Y	C RESISTOR	330 5% 1/4W			R 879	QRE141J-104Y	C RESISTOR	100K 5% 1/4W	
	R 807	QRE141J-103Y	C RESISTOR	10K 5% 1/4W			R 880	QRE141J-104Y	C RESISTOR	100K 5% 1/4W	
	R 808	QRE141J-103Y	C RESISTOR	10K 5% 1/4W			R 881	QRE141J-103Y	C RESISTOR	10K 5% 1/4W	
	R 810	QRE141J-103Y	C RESISTOR	10K 5% 1/4W			R 882	QRE141J-103Y	C RESISTOR	10K 5% 1/4W	
	R 811	QRE141J-103Y	C RESISTOR	10K 5% 1/4W			R 883	QRE141J-103Y	C RESISTOR	10K 5% 1/4W	
	R 812	QRE141J-103Y	C RESISTOR	10K 5% 1/4W			R 884	QRE141J-102Y	C RESISTOR	1.0K 5% 1/4W	
	R 813	QRE141J-103Y	C RESISTOR	10K 5% 1/4W			R 885	QRE141J-221Y	C RESISTOR	220 5% 1/4W	
	R 814	QRE141J-562Y	C RESISTOR	5.6K 5% 1/4W			R 886	QRE141J-221Y	C RESISTOR	220 5% 1/4W	
	R 815	QRE141J-563Y	C RESISTOR	56K 5% 1/4W			R 887	QRE141J-221Y	C RESISTOR	220 5% 1/4W	
	R 816	QRE141J-563Y	C RESISTOR	56K 5% 1/4W			R 888	QRE141J-221Y	C RESISTOR	220 5% 1/4W	
	R 817	QRE141J-103Y	C RESISTOR	10K 5% 1/4W			R 889	QRE141J-221Y	C RESISTOR	220 5% 1/4W	
	R 818	QRE141J-103Y	C RESISTOR	10K 5% 1/4W			R 890	QRE141J-104Y	C RESISTOR	100K 5% 1/4W	
	R 819	QRE141J-102Y	C RESISTOR	1.0K 5% 1/4W			R 891	QRE141J-104Y	C RESISTOR	100K 5% 1/4W	
	R 820	QRE141J-102Y	C RESISTOR	1.0K 5% 1/4W			R 893	QRE141J-102Y	C RESISTOR	1.0K 5% 1/4W	
	R 821	QRE141J-103Y	C RESISTOR	10K 5% 1/4W			R 894	QRE141J-183Y	C RESISTOR	18K 5% 1/4W	
	R 822	QRE141J-103Y	C RESISTOR	10K 5% 1/4W			R 895	QRE141J-102Y	C RESISTOR	1.0K 5% 1/4W	
	R 823	QRE141J-102Y	C RESISTOR	1.0K 5% 1/4W			R 896	QRE141J-103Y	C RESISTOR	10K 5% 1/4W	
	R 824	QRE141J-102Y	C RESISTOR	1.0K 5% 1/4W			R 897	QRE141J-753Y	C RESISTOR	75K 5% 1/4W	
	R 825	QRE141J-104Y	C RESISTOR	100K 5% 1/4W			R 901	QRE141J-121Y	C RESISTOR	120 5% 1/4W	
	R 826	QRE141J-104Y	C RESISTOR	100K 5% 1/4W			R 902	QRE141J-103Y	C RESISTOR	10K 5% 1/4W	
	R 827	QRE141J-103Y	C RESISTOR	10K 5% 1/4W			R 903	QRE141J-101Y	C RESISTOR	100 5% 1/4W	
	R 828	QRE141J-103Y	C RESISTOR	10K 5% 1/4W			R 904	QRE141J-331Y	C RESISTOR	330 5% 1/4W	
	R 829	QRE141J-103Y	C RESISTOR	10K 5% 1/4W			R 905	QRE141J-104Y	C RESISTOR	100K 5% 1/4W	
	R 831	QRE141J-104Y	C RESISTOR	100K 5% 1/4W			R 906	QRE141J-104Y	C RESISTOR	100K 5% 1/4W	
	R 832	QRE141J-104Y	C RESISTOR	100K 5% 1/4W			R 907	QRE141J-201Y	C RESISTOR	200 5% 1/4W	
	R 833	QRE141J-104Y	C RESISTOR	100K 5% 1/4W			R 908	QRE141J-562Y	C RESISTOR	5.6K 5% 1/4W	
	R 834	QRE141J-104Y	C RESISTOR	100K 5% 1/4W			R 909	QRE141J-201Y	C RESISTOR	200 5% 1/4W	
	R 835	QRE141J-104Y	C RESISTOR	100K 5% 1/4W			R 910	QRE141J-201Y	C RESISTOR	200 5% 1/4W	
	R 836	QRE141J-104Y	C RESISTOR	100K 5% 1/4W			R 916	QRE141J-102Y	C RESISTOR	1.0K 5% 1/4W	
	R 837	QRE141J-104Y	C RESISTOR	100K 5% 1/4W			R 917	QRE141J-102Y	C RESISTOR	1.0K 5% 1/4W	
	R 838	QRE141J-102Y	C RESISTOR	1.0K 5% 1/4W			R 918	QRE141J-201Y	C RESISTOR	200 5% 1/4W	
	R 839	QRE141J-102Y	C RESISTOR	1.0K 5% 1/4W			R 919	QRE141J-201Y	C RESISTOR	200 5% 1/4W	
	R 840	QRE141J-103Y	C RESISTOR	10K 5% 1/4W			R 920	QRE141J-201Y	C RESISTOR	200 5% 1/4W	
	R 841	QRE141J-103Y	C RESISTOR	10K 5% 1/4W			R 921	QRE141J-334Y	C RESISTOR	330K 5% 1/4W	
	R 842	QRE141J-103Y	C RESISTOR	10K 5% 1/4W			R 930	QRE141J-103Y	C RESISTOR	10K 5% 1/4W	
	R 843	QRE141J-221Y	C RESISTOR	220 5% 1/4W			R 931	QRE141J-222Y	C RESISTOR	2.2K 5% 1/4W	

■ Electrical parts list (Front board)

Block No. 03

△	Item	Parts number	Parts name	Remarks	Area
	R 932	QRE141J-272Y	C RESISTOR	2.7K 5% 1/4W	
	R 933	QRE141J-392Y	C RESISTOR	3.9K 5% 1/4W	
	R 935	QRE141J-562Y	C RESISTOR	5.6K 5% 1/4W	
	R 936	QRE141J-122Y	C RESISTOR	1.2K 5% 1/4W	
	R 937	QRE141J-152Y	C RESISTOR	1.5K 5% 1/4W	
	R 938	QRE141J-222Y	C RESISTOR	2.2K 5% 1/4W	
	R 939	QRE141J-272Y	C RESISTOR	2.7K 5% 1/4W	
	R 940	QRE141J-680Y	C RESISTOR	68 5% 1/4W	
	R 941	QRE141J-680Y	C RESISTOR	68 5% 1/4W	
	R 942	QRE141J-392Y	C RESISTOR	3.9K 5% 1/4W	
	R 943	QRE141J-103Y	C RESISTOR	10K 5% 1/4W	
	R 944	QRE141J-562Y	C RESISTOR	5.6K 5% 1/4W	
	R 945	QRE141J-392Y	C RESISTOR	3.9K 5% 1/4W	
	R 946	QRE141J-272Y	C RESISTOR	2.7K 5% 1/4W	
	R 947	QRE141J-222Y	C RESISTOR	2.2K 5% 1/4W	
	R 948	QRE141J-152Y	C RESISTOR	1.5K 5% 1/4W	
	R 949	QRE141J-122Y	C RESISTOR	1.2K 5% 1/4W	
	R 950	QRE141J-102Y	C RESISTOR	1.0K 5% 1/4W	
	R 952	QRE141J-122Y	C RESISTOR	1.2K 5% 1/4W	
	R 953	QRE141J-680Y	C RESISTOR	68 5% 1/4W	
	R 954	QRE141J-680Y	C RESISTOR	68 5% 1/4W	
	R 955	QRE141J-152Y	C RESISTOR	1.5K 5% 1/4W	
	R 956	QRE141J-331Y	C RESISTOR	330 5% 1/4W	
	R 957	QRE141J-121Y	C RESISTOR	120 5% 1/4W	
	R 959	QRE141J-121Y	C RESISTOR	120 5% 1/4W	
	R 960	QRE141J-331Y	C RESISTOR	330 5% 1/4W	
	R 961	QRE141J-101Y	C RESISTOR	100 5% 1/4W	
	R 962	QRE141J-103Y	C RESISTOR	10K 5% 1/4W	
	R 963	QRE141J-562Y	C RESISTOR	5.6K 5% 1/4W	
	R 964	QRE141J-392Y	C RESISTOR	3.9K 5% 1/4W	
	R 965	QRE141J-103Y	C RESISTOR	10K 5% 1/4W	
	R 969	QRE141J-680Y	C RESISTOR	68 5% 1/4W	
	R 970	QRE141J-101Y	C RESISTOR	100 5% 1/4W	
	R 980	QRE141J-100Y	C RESISTOR	10 5% 1/4W	
	R 991	QRE141J-202Y	C RESISTOR	2.0K 5% 1/4W	
	R 992	QRE141J-202Y	C RESISTOR	2.0K 5% 1/4W	
	R 993	QRE141J-122Y	C RESISTOR	1.2K 5% 1/4W	
	R 994	QRE141J-183Y	C RESISTOR	18K 5% 1/4W	
	R 995	QRE141J-222Y	C RESISTOR	2.2K 5% 1/4W	
	R 996	QRE141J-272Y	C RESISTOR	2.7K 5% 1/4W	
	R 997	QRE141J-152Y	C RESISTOR	1.5K 5% 1/4W	
	R 998	QRE141J-102Y	C RESISTOR	1.0K 5% 1/4W	
	RA801	QRB169J-104	NET RESISTOR	100K 5% 1/6W	
	RA802	QRB169J-104	NET RESISTOR	100K 5% 1/6W	
	R1021	QRE141J-472Y	C RESISTOR	4.7K 5% 1/4W	
	R1022	QRE141J-472Y	C RESISTOR	4.7K 5% 1/4W	
	R1031	QRE141J-203Y	C RESISTOR	20K 5% 1/4W	
	R1032	QRE141J-203Y	C RESISTOR	20K 5% 1/4W	
	R1033	QRE141J-822Y	C RESISTOR	8.2K 5% 1/4W	
	R1034	QRE141J-103Y	C RESISTOR	10K 5% 1/4W	
	R1035	QRE141J-333Y	C RESISTOR	33K 5% 1/4W	
	R1036	QRE141J-392Y	C RESISTOR	3.9K 5% 1/4W	
	R1037	QRE141J-153Y	C RESISTOR	15K 5% 1/4W	
	R1038	QRE141J-472Y	C RESISTOR	4.7K 5% 1/4W	
	R1039	QRE141J-103Y	C RESISTOR	10K 5% 1/4W	
	R1040	QRE141J-272Y	C RESISTOR	2.7K 5% 1/4W	
	R1041	QRE141J-203Y	C RESISTOR	20K 5% 1/4W	
	R1042	QRE141J-221Y	C RESISTOR	220 5% 1/4W	
	R1043	QRE141J-203Y	C RESISTOR	20K 5% 1/4W	
	R1044	QRE141J-562Y	C RESISTOR	5.6K 5% 1/4W	
	R1045	QRE141J-102Y	C RESISTOR	1.0K 5% 1/4W	
	R1061	QRE141J-103Y	C RESISTOR	10K 5% 1/4W	
	R1062	QRE141J-123Y	C RESISTOR	12K 5% 1/4W	

△	Item	Parts number	Parts name	Remarks	Area
	R1063	QRE141J-391Y	C RESISTOR	390 5% 1/4W	
	R1064	QRE141J-152Y	C RESISTOR	1.5K 5% 1/4W	
	R1065	QRE141J-101Y	C RESISTOR	100 5% 1/4W	
	R1066	QRE141J-475Y	C RESISTOR	4.7M 5% 1/4W	
	R1067	QRE141J-560Y	C RESISTOR	56 5% 1/4W	
	R1068	QRE141J-203Y	C RESISTOR	20K 5% 1/4W	
	R1069	QRE141J-102Y	C RESISTOR	1.0K 5% 1/4W	
	R1070	QRE141J-561Y	C RESISTOR	560 5% 1/4W	
	R1071	QRE141J-472Y	C RESISTOR	4.7K 5% 1/4W	
	S 901	QSW0825-001Z	TACT SWITCH		
	S 902	QSW0825-001Z	TACT SWITCH		
	S 915	QSW0825-001Z	TACT SWITCH		
	S 916	QSW0825-001Z	TACT SWITCH		
	S 917	QSW0825-001Z	TACT SWITCH		
	S 931	QSW0825-001Z	TACT SWITCH		
	S 932	QSW0825-001Z	TACT SWITCH		
	S 933	QSW0825-001Z	TACT SWITCH		
	S 935	QSW0825-001Z	TACT SWITCH		
	S 936	QSW0825-001Z	TACT SWITCH		
	S 937	QSW0825-001Z	TACT SWITCH		
	S 938	QSW0825-001Z	TACT SWITCH		
	S 939	QSW0825-001Z	TACT SWITCH		
	S 942	QSW0825-001Z	TACT SWITCH		
	S 943	QSW0825-001Z	TACT SWITCH		
	S 944	QSW0825-001Z	TACT SWITCH		
	S 945	QSW0825-001Z	TACT SWITCH		
	S 946	QSW0825-001Z	TACT SWITCH		
	S 947	QSW0825-001Z	TACT SWITCH		
	S 948	QSW0825-001Z	TACT SWITCH		
	S 949	QSW0825-001Z	TACT SWITCH		
	S 950	QSW0825-001Z	TACT SWITCH		
	S 951	QSW0825-001Z	TACT SWITCH		
	S 952	QSW0825-001Z	TACT SWITCH		
	S 963	QSW0825-001Z	TACT SWITCH		
	S 995	QSW0825-001Z	TACT SWITCH		
	S 996	QSW0825-001Z	TACT SWITCH		
	S 997	QSW0825-001Z	TACT SWITCH		
	S 998	QSW0825-001Z	TACT SWITCH		
	S 999	QSW0825-001Z	TACT SWITCH		
	SP801	VYH7653-001	IC HOLDER		
	SP807	E3400-431	SPACER		
	SP808	E3400-431	SPACER		
	SP896	E3400-431	SPACER		
	VR901	QVQ0299-B54	V.RES		
	X 801	QAX0718-001Z	CRYSTAL		

■ Electrical parts list (Analog output&power supply board) Block No. 04

△	Item	Parts number	Parts name	Remarks	Area
	C 253	QFLC1HJ-472Z	M CAPACITOR	4700PF 5% 50V	
△	C 254	QFZ9075-683	M CAPACITOR	.068MF	
	C 381	QDGB1HK-102Y	C CAPACITOR		
	C 382	QDGB1HK-102Y	C CAPACITOR		
	C 383	QDGB1HK-102Y	C CAPACITOR		
	C 384	QDGB1HK-102Y	C CAPACITOR		
	C 387	EETC0JM-107ZJC	E CAPACITOR		
	C 388	QDGB1HK-102Y	C CAPACITOR		
	CN208	WJK0114-002A	E-SI C WIRE C-B		
	CN209	WJK0070-003A	E-SI C WIRE C-B		
	CN213	QGB2510K2-04	CONNECTOR		
	CN214	QJK015-071214	SKT WIRE		
	CN218	QGA7901F1-03	CONNECTOR		
	CN219	QGA7901C1-04	CONNECTOR		
	CN220	QGD2504C1-03Z	SOCKET I.M		
	CN250	QGA7901C1-02	CONNECTOR		
	CN371	QGB1214K1-14S	CONNECTOR		
	CN372	QGB2510J1-06	CONNECTOR		
	CN373	QGB2510J1-15	CONNECTOR		
	D 390	1SS133-T2	SI DIODE IM		
	D 391	1SS133-T2	SI DIODE IM		
	EP250	E409182-001SM	GRAND TERMINAL		
	FT111	QNG0020-001Z	FUSE CLIP		
	FT112	QNG0020-001Z	FUSE CLIP		
	FT131	QNG0020-001Z	FUSE CLIP		
	FT132	QNG0020-001Z	FUSE CLIP		
	FT511	QNG0020-001Z	FUSE CLIP		
	FT512	QNG0020-001Z	FUSE CLIP		
	FT521	QNG0020-001Z	FUSE CLIP		
	FT522	QNG0020-001Z	FUSE CLIP		
	FT531	QNG0020-001Z	FUSE CLIP		
	FT532	QNG0020-001Z	FUSE CLIP		
	J 371	GP1FA550TZ	OPT TRANSMITTER		
	J 372	QNN0436-002	PIN JACK		
	R 387	QRE141J-2R2Y	C RESISTOR	2.2 5% 1/4W	
	R 388	QRE141J-104Y	C RESISTOR	100K 5% 1/4W	
	R 390	QRE141J-221Y	C RESISTOR	220 5% 1/4W	
	R 394	QRK126J-121X	C RESISTOR	120 5% 1/2W	
	RY370	QSK0109-001	RELAY		
	RY371	QSK0109-001	RELAY		
	R1001	QRZ9037-335	F RESISTOR	LEAD CUT	
△	R1002	ERX12SJR33E	UNF.C.RES		
	S 500	QSW0812-001	VOLTAGE SWITCH		

■ Electrical parts list (DVD servo board)

Block No. 05

△	Item	Parts number	Parts name	Remarks	Area	△	Item	Parts number	Parts name	Remarks	Area
	C 1	NCB31CK-104X	C CAPACITOR				C 228	NCB31HK-102X	C CAPACITOR		
	C 2	NEA70JM-226X	E CAPACITOR				C 237	NCB31CK-104X	C CAPACITOR		
	C 3	NEA70JM-226X	E CAPACITOR				C 238	NCB31CK-104X	C CAPACITOR		
	C 4	NCB31CK-104X	C CAPACITOR				C 239	NCB31CK-183X	C CAPACITOR		
	C 5	NEA70JM-226X	E CAPACITOR				C 240	NCS31HJ-101X	C.CAPA. C.M		
	C 6	NCB31CK-104X	C CAPACITOR				C 241	NCB31CK-103X	C CAPACITOR		
	C 11	NEA70JM-107X	E.CAPACITOR				C 242	NCB11CK-105X	C CAPACITOR		
	C 12	NCB31CK-104X	C CAPACITOR				C 244	NCB31CK-104X	C CAPACITOR		
	C 15	NCB31CK-104X	C CAPACITOR				C 245	NCB31CK-103X	C CAPACITOR		
	C 16	NBE20JM-106X	TS E CAP SVB20J				C 246	NCB31CK-104X	C CAPACITOR		
	C 17	NCB31CK-104X	C CAPACITOR				C 247	NCB31CK-104X	C CAPACITOR		
	C 101	NCB31HK-561X	C CAPACITOR				C 248	NCB21CK-154X	C.CAPA. C.M		
	C 102	NCB31CK-104X	C CAPACITOR				C 249	NCB31CK-104X	C CAPACITOR		
	C 103	NCB31CK-104X	C CAPACITOR				C 250	NCB31CK-104X	C CAPACITOR		
	C 104	NCB31CK-104X	C CAPACITOR				C 251	NCB31CK-104X	C CAPACITOR		
	C 105	NCB31CK-104X	C CAPACITOR				C 253	NCB31CK-104X	C CAPACITOR		
	C 109	NEA70JM-476X	E.CAPACITOR				C 254	NEA70GM-336X	E CAPACITOR		
	C 112	NEA70JM-476X	E.CAPACITOR				C 255	NCB31CK-104X	C CAPACITOR		
	C 118	NCB21CK-154X	C.CAPA. C.M				C 256	NEA70GM-107X	E CAPACITOR		
	C 119	NCS31HJ-221X	C.CAPA. C.M				C 257	NCB11CK-105X	C CAPACITOR		
	C 120	NCS31HJ-820X	C CAPACITOR				C 258	NEA70GM-107X	E CAPACITOR		
	C 121	NCS31HJ-220X	C CAPACITOR				C 259	NCB11CK-105X	C CAPACITOR		
	C 122	NCB31HK-271X	C CAPACITOR				C 260	NCB31HK-561X	C CAPACITOR		
	C 123	NCB31CK-104X	C CAPACITOR				C 261	NCB31CK-104X	C CAPACITOR		
	C 124	NCB31CK-104X	C CAPACITOR				C 262	NCB31CK-104X	C CAPACITOR		
	C 125	NCB31CK-104X	C CAPACITOR				C 263	NCB31CK-104X	C CAPACITOR		
	C 126	NEX40JM-566X	E CAPACITOR				C 264	NCB21CK-474X	C CAPACITOR		
	C 127	NCB31HK-102X	C CAPACITOR				C 271	NCB31EK-332X	C CAPACITOR		
	C 128	NCB31CK-104X	C CAPACITOR				C 272	NCB31HK-331X	C CAPACITOR		
	C 130	NCB31CK-104X	C CAPACITOR				C 276	NCB31CK-104X	C CAPACITOR		
	C 131	NCS31HJ-120X	C.CAPA. C.M				C 277	NCB31CK-104X	C CAPACITOR		
	C 132	NCB31CK-104X	C CAPACITOR				C 278	NCB31HK-102X	C CAPACITOR		
	C 133	NCB31HK-561X	C CAPACITOR				C 279	NCB31HK-152X	C CAPACITOR		
	C 134	NCB31HK-561X	C CAPACITOR				C 281	NCB31CK-103X	C CAPACITOR		
	C 135	NCB31CK-273X	C CAPACITOR				C 283	NCB31CK-223X	C CAPACITOR		
	C 136	NCB31CK-473X	C CAPACITOR				C 284	NCB31CK-473X	C CAPACITOR		
	C 138	NCB31CK-104X	C CAPACITOR				C 288	NCB31CK-223X	C CAPACITOR		
	C 139	NCB31CK-104X	C CAPACITOR				C 289	NCB31CK-104X	C CAPACITOR		
	C 140	NEA70JM-226X	E CAPACITOR				C 291	NCB31CK-104X	C CAPACITOR		
	C 141	NCB31CK-104X	C CAPACITOR				C 292	NEA70JM-226X	E CAPACITOR		
	C 143	NCB31CK-104X	C CAPACITOR				C 293	NEA71CM-226X	E.CAPAP. C.M		
	C 144	NCB31CK-104X	C CAPACITOR				C 301	NCB31CK-104X	C CAPACITOR		
	C 145	NCB31CK-103X	C CAPACITOR				C 302	NCB31CK-104X	C CAPACITOR		
	C 151	NEA70JM-226X	E CAPACITOR				C 303	NCB31CK-104X	C CAPACITOR		
	C 152	NEX40JM-156X	E.CAPA.C.M				C 304	NCB31CK-104X	C CAPACITOR		
	C 153	NCB31CK-104X	C CAPACITOR				C 305	NCB31CK-104X	C CAPACITOR		
	C 159	NCB31CK-104X	C CAPACITOR				C 306	NCB31CK-104X	C CAPACITOR		
	C 160	NCB31CK-104X	C CAPACITOR				C 307	NCB31CK-104X	C CAPACITOR		
	C 161	NEA70GM-336X	E CAPACITOR				C 309	NCB31CK-104X	C CAPACITOR		
	C 202	NCB31HK-561X	C CAPACITOR				C 310	NCB31CK-104X	C CAPACITOR		
	C 203	NCB31HK-561X	C CAPACITOR				C 311	NCB31CK-104X	C CAPACITOR		
	C 204	NCB31HK-331X	C CAPACITOR				C 312	NCS31HJ-180X	C CAPACITOR		
	C 205	NCS31HJ-121X	C CAPACITOR				C 313	NCS31HJ-180X	C CAPACITOR		
	C 206	NCS31HJ-271X	C CAPACITOR				C 314	NCB31CK-104X	C CAPACITOR		
	C 207	NCB31HK-471X	C CAPACITOR				C 315	NCB31CK-104X	C CAPACITOR		
	C 208	NCB31CK-104X	C CAPACITOR				C 316	NEA70GM-107X	E CAPACITOR		
	C 209	NCB31HK-102X	C CAPACITOR				C 317	NCB11CK-105X	C CAPACITOR		
	C 210	NCB31HK-102X	C CAPACITOR				C 318	NCB31CK-104X	C CAPACITOR		
	C 222	NCB31CK-103X	C CAPACITOR				C 319	NCB31CK-104X	C CAPACITOR		
	C 223	NCB31HK-102X	C CAPACITOR				C 320	NCB31CK-104X	C CAPACITOR		
	C 224	NCB31CK-104X	C CAPACITOR				C 321	NCB31CK-104X	C CAPACITOR		
	C 225	NBE91CM-105X	E CAPACITOR				C 324	NCB31CK-104X	C CAPACITOR		
	C 227	NCB31HK-102X	C CAPACITOR				C 326	NCB31CK-104X	C CAPACITOR		

■ Electrical parts list (DVD servo board)

Block No. 05

△	Item	Parts number	Parts name	Remarks	Area	△	Item	Parts number	Parts name	Remarks	Area
	C 327	NEA70GM-107X	E CAPACITOR				C 548	NCB31CK-104X	C CAPACITOR		
	C 341	NCB31CK-104X	C CAPACITOR				C 556	NEA70JM-107X	E.CAPACITOR		
	C 342	NCB31CK-104X	C CAPACITOR				C 557	NCB31CK-104X	C CAPACITOR		
	C 343	NCB31CK-104X	C CAPACITOR				C 561	NCB31CK-104X	C CAPACITOR		
	C 344	NCB31CK-104X	C CAPACITOR				C 562	NEA70JM-226X	E CAPACITOR		
	C 345	NEA70JM-107X	E.CAPACITOR				C 566	NCB31CK-104X	C CAPACITOR		
	C 346	NCB11CK-105X	C CAPACITOR				C 567	NEA70JM-226X	E CAPACITOR		
	C 401	NCB31CK-104X	C CAPACITOR				CN101	QGF0501F3-40X	FFC/FPC CONNE	PU	
	C 402	NCB31CK-104X	C CAPACITOR				CN501	QGA2001F2-09X	CONNECTOR	POWER	
	C 405	NCB31CK-104X	C CAPACITOR				CN502	QGF1016F2-17W	CONNECTOR	SYSTEM	
	C 406	NCB31CK-104X	C CAPACITOR				CN503	QGF1016F2-09W	CONNECTOR	VIDEO	
	C 407	NCB31CK-104X	C CAPACITOR				D 501	1SR154-400-X	DIODE		
	C 408	NEA70JM-226X	E CAPACITOR				IC 1	MM3023DN-X	IC		
	C 409	NCB31CK-104X	C CAPACITOR				IC101	AN8702FH	IC		
	C 410	NCB31CK-104X	C CAPACITOR				IC102	MM3023DN-X	IC		
	C 411	NCB31CK-104X	C CAPACITOR				IC201	MN67706ZY	IC		
	C 412	NCB31CK-104X	C CAPACITOR				IC271	M56788FP-W	IC		
	C 421	NCB31CK-104X	C CAPACITOR				IC301	MN103S13BDA	IC		
	C 422	NCB31CK-104X	C CAPACITOR				IC311	TC7SH08FU-X	IC		
	C 501	NCB31CK-104X	C CAPACITOR				IC312	TC7SH32FU-X	IC		
	C 502	NCB31CK-104X	C CAPACITOR				IC321	TC7WH74FU-X	IC		
	C 503	NCB31CK-104X	C CAPACITOR				IC322	TC74VHC00FT-X	IC		
	C 504	NCB31CK-104X	C CAPACITOR				IC401	MN102L62GEJ1	IC	OTP	
	C 505	NCB31CK-104X	C CAPACITOR				IC402	MR27V1602E2JMAX	IC		
	C 506	NCB31CK-104X	C CAPACITOR				IC403	AK93C65AF-X	IC		
	C 507	NCB31CK-104X	C CAPACITOR				IC411	TC74VHC125FT-X	IC		
	C 508	NCB31CK-104X	C CAPACITOR				IC412	TC7WT125FU-X	IC(DIGITAL)		
	C 509	NCB31CK-104X	C CAPACITOR				IC501	ZIVA-4.1-PA2	IC		
	C 510	NCB31CK-104X	C CAPACITOR				IC502	NAX0393-001X	CXO C.M	27MHZ	
	C 511	NCB31CK-104X	C CAPACITOR				IC503	TC74VHC00FT-X	IC		
	C 512	NCB31CK-104X	C CAPACITOR				IC504	W981616AH-7	IC	WINBOND	
	C 513	NCB31CK-104X	C CAPACITOR				IC505	W981616AH-7	IC	WINBOND	
	C 514	NCB31CK-104X	C CAPACITOR				K 102	NQR0398-002X	FERRITE BEADS		
	C 515	NCB31CK-104X	C CAPACITOR				K 103	NQR0398-002X	FERRITE BEADS		
	C 516	NCB31CK-104X	C CAPACITOR				K 201	NQR0398-002X	FERRITE BEADS		
	C 517	NCB31CK-104X	C CAPACITOR				K 202	NQR0398-002X	FERRITE BEADS		
	C 518	NCB31CK-104X	C CAPACITOR				K 203	NQR0398-002X	FERRITE BEADS		
	C 519	NCB31CK-104X	C CAPACITOR				K 301	NQR0398-002X	FERRITE BEADS		
	C 520	NCB31CK-104X	C CAPACITOR				K 302	NQR0398-002X	FERRITE BEADS		
	C 521	NCB31CK-104X	C CAPACITOR				K 303	NQR0398-002X	FERRITE BEADS		
	C 522	NCB31CK-104X	C CAPACITOR				K 401	NQR0398-002X	FERRITE BEADS		
	C 523	NCB31CK-104X	C CAPACITOR				K 402	NQR0398-002X	FERRITE BEADS		
	C 524	NCB31CK-104X	C CAPACITOR				K 501	NQR0398-002X	FERRITE BEADS		
	C 525	NCB31CK-104X	C CAPACITOR				K 502	NQR0398-002X	FERRITE BEADS		
	C 526	NCB31CK-104X	C CAPACITOR				K 503	NQR0398-002X	FERRITE BEADS		
	C 527	NCB31CK-104X	C CAPACITOR				K 504	NQR0398-003X	FERRITE BEADS		
	C 528	NCB31CK-104X	C CAPACITOR				K 505	NQR0427-003X	FERRITE BEADS		
	C 529	NCB31CK-104X	C CAPACITOR				K 506	NQR0398-002X	FERRITE BEADS		
	C 530	NEA70JM-107X	E.CAPACITOR				K 551	NQR0398-002X	FERRITE BEADS		
	C 531	NCB31CK-104X	C CAPACITOR				K 553	NQR0398-002X	FERRITE BEADS		
	C 532	NCB31CK-104X	C CAPACITOR				K 554	NRSA02J-0R0X	MG RESISTOR		
	C 533	NCB31CK-104X	C CAPACITOR				K 555	NQR0398-002X	FERRITE BEADS		
	C 534	NEA70JM-107X	E.CAPACITOR				K 556	NQR0398-002X	FERRITE BEADS		
	C 535	NCB31CK-104X	C CAPACITOR				K 558	NQR0398-002X	FERRITE BEADS		
	C 536	NCB31CK-103X	C CAPACITOR				K 561	NQR0398-002X	FERRITE BEADS		
	C 537	NEA70JM-226X	E CAPACITOR				L 1	NQL044K-100X	INDUCTOR		
	C 538	NCB31CK-104X	C CAPACITOR				Q 1	KTC4377/C-X	POW TRANSISTOR		
	C 539	NCB31CK-104X	C CAPACITOR				Q 101	KTA1001/Y/-X	TRANSISTOR		
	C 540	NEA70JM-226X	E CAPACITOR				Q 102	KTA1001/Y/-X	TRANSISTOR		
	C 541	NCB31CK-104X	C CAPACITOR				Q 275	DTC144EE-X	TRANSISTOR		
	C 542	NEA70JM-226X	E CAPACITOR				Q 401	DTC144EE-X	TRANSISTOR		
	C 543	NCB31CK-104X	C CAPACITOR				Q 402	DTC144EE-X	TRANSISTOR		
	C 544	NCB31CK-104X	C CAPACITOR				Q 403	DTC144EE-X	TRANSISTOR		

■ Electrical parts list (DVD servo board)

Block No. 05

△	Item	Parts number	Parts name	Remarks	Area	△	Item	Parts number	Parts name	Remarks	Area
	R 1	NRSA63J-100X	MG RESISTOR				R 238	NRSA63J-221X	MG RESISTOR		
	R 103	NRS125J-270X	MG RESISTOR				R 239	NRSA63J-221X	MG RESISTOR		
	R 104	NRS125J-270X	MG RESISTOR				R 240	NRSA63J-221X	MG RESISTOR		
	R 107	NRSA63J-0R0X	MG RESISTOR				R 241	NRSA63J-221X	MG RESISTOR		
	R 108	NRSA63J-183X	MG RESISTOR				R 242	NRSA63J-102X	MG RESISTOR		
	R 109	NRSA63J-0R0X	MG RESISTOR				R 243	NRSA63J-102X	MG RESISTOR		
	R 110	NRSA63J-273X	MG RESISTOR				R 244	NRSA63J-102X	MG RESISTOR		
	R 111	NRSA63J-0R0X	MG RESISTOR				R 245	NRSA63J-102X	MG RESISTOR		
	R 112	NRSA63J-273X	MG RESISTOR				R 246	NRSA63J-102X	MG RESISTOR		
	R 113	NRSA63J-682X	MG RESISTOR				R 248	NRSA63J-473X	MG RESISTOR		
	R 114	NRSA63J-102X	MG RESISTOR				R 249	NRSA63J-473X	MG RESISTOR		
	R 115	NRVA63D-243X	RES. C.M				R 250	NRSA63J-473X	MG RESISTOR		
	R 116	NRSA63J-393X	MG RESISTOR				R 253	NRS125J-4R7X	MG RESISTOR		
	R 117	NRSA63J-123X	MG RESISTOR				R 255	NRSA63J-123X	MG RESISTOR		
	R 118	NRSA63J-223X	MG RESISTOR				R 256	NRSA63J-0R0X	MG RESISTOR		
	R 121	NRSA63J-0R0X	MG RESISTOR				R 257	NRSA63J-0R0X	MG RESISTOR		
	R 122	NRSA63J-0R0X	MG RESISTOR				R 258	NRSA63J-0R0X	MG RESISTOR		
	R 123	NRSA63J-0R0X	MG RESISTOR				R 261	NRSA63J-0R0X	MG RESISTOR		
	R 124	NRSA63J-0R0X	MG RESISTOR				R 271	NRSA63J-563X	MG RESISTOR		
	R 125	NRSA63J-0R0X	MG RESISTOR				R 272	NRSA63J-103X	MG RESISTOR		
	R 126	NRSA63J-0R0X	MG RESISTOR				R 273	NRS125J-1R0X	MG RESISTOR		
	R 127	NRSA63J-222X	MG RESISTOR				R 274	NRSA63J-0R0X	MG RESISTOR		
	R 128	NRSA63J-105X	MG RESISTOR				R 275	NRSA63J-103X	MG RESISTOR		
	R 129	NRSA63J-105X	MG RESISTOR				R 276	NRSA63J-103X	MG RESISTOR		
	R 131	NRSA63J-822X	MG RESISTOR				R 277	NRSA63J-103X	MG RESISTOR		
	R 132	NRSA63J-103X	MG RESISTOR				R 278	NRSA63J-103X	MG RESISTOR		
	R 144	NRSA63J-333X	MG RESISTOR				R 279	NRSA63J-103X	MG RESISTOR		
	R 145	NRSA63J-103X	MG RESISTOR				R 280	NRSA63J-103X	MG RESISTOR		
	R 152	NRS125J-1R0X	MG RESISTOR				R 282	NRSA63J-103X	MG RESISTOR		
	R 153	NRS125J-4R7X	MG RESISTOR				R 283	NRSA63J-103X	MG RESISTOR		
	R 155	NRSA63J-0R0X	MG RESISTOR				R 284	NRSA63J-472X	MG RESISTOR		
	R 156	NRSA63J-333X	MG RESISTOR				R 285	NRSA63J-103X	MG RESISTOR		
	R 160	NRSA63J-0R0X	MG RESISTOR				R 286	NRSA63J-103X	MG RESISTOR		
	R 161	NRSA63J-0R0X	MG RESISTOR				R 287	NRSA63J-103X	MG RESISTOR		
	R 162	NRSA63J-0R0X	MG RESISTOR				R 288	NRSA63J-103X	MG RESISTOR		
	R 163	NRSA63J-0R0X	MG RESISTOR				R 289	NRSA63J-103X	MG RESISTOR		
	R 166	NRSA63J-182X	MG RESISTOR				R 290	NRSA63J-103X	MG RESISTOR		
	R 202	NRSA63J-473X	MG RESISTOR				R 292	NRSA63J-223X	MG RESISTOR		
	R 203	NRSA63J-473X	MG RESISTOR				R 295	NRSA63J-103X	MG RESISTOR		
	R 204	NRSA63J-473X	MG RESISTOR				R 296	NRSA63J-103X	MG RESISTOR		
	R 205	NRSA63J-473X	MG RESISTOR				R 297	NRS125J-1R0X	MG RESISTOR		
	R 208	NRSA63J-473X	MG RESISTOR				R 301	NRSA63J-473X	MG RESISTOR		
	R 209	NRSA63J-123X	MG RESISTOR				R 302	NRSA63J-473X	MG RESISTOR		
	R 210	NRSA63J-473X	MG RESISTOR				R 303	NRSA63J-473X	MG RESISTOR		
	R 211	NRSA63J-273X	MG RESISTOR				R 304	NRSA63J-473X	MG RESISTOR		
	R 212	NRSA63J-273X	MG RESISTOR				R 305	NRSA63J-473X	MG RESISTOR		
	R 213	NRSA63J-562X	MG RESISTOR				R 306	NRSA63J-473X	MG RESISTOR		
	R 214	NRSA63J-123X	MG RESISTOR				R 307	NRSA63J-473X	MG RESISTOR		
	R 215	NRSA63J-105X	MG RESISTOR				R 308	NRSA63J-473X	MG RESISTOR		
	R 218	NRSA63J-153X	MG RESISTOR				R 309	NRSA63J-103X	MG RESISTOR		
	R 219	NRSA63J-473X	MG RESISTOR				R 310	NRSA63J-102X	MG RESISTOR		
	R 220	NRSA63J-473X	MG RESISTOR				R 311	NRSA63J-102X	MG RESISTOR		
	R 223	NRSA63J-473X	MG RESISTOR				R 312	NRSA63J-102X	MG RESISTOR		
	R 225	NRSA63J-682X	MG RESISTOR				R 316	NRSA63J-105X	MG RESISTOR		
	R 227	NRSA63J-102X	MG RESISTOR				R 317	NRSA63J-0R0X	MG RESISTOR		
	R 228	NRSA63J-183X	MG RESISTOR				R 318	NRSA63J-0R0X	MG RESISTOR		
	R 229	NRSA63J-273X	MG RESISTOR				R 322	NRSA63J-473X	MG RESISTOR		
	R 230	NRSA63J-273X	MG RESISTOR				R 324	NRSA63J-473X	MG RESISTOR		
	R 232	NRSA63J-472X	MG RESISTOR				R 328	NRSA63J-473X	MG RESISTOR		
	R 233	NRSA63J-472X	MG RESISTOR				R 342	NRSA63J-0R0X	MG RESISTOR		
	R 234	NRSA63J-472X	MG RESISTOR				R 343	NRSA63J-102X	MG RESISTOR		
	R 235	NRSA63J-0R0X	MG RESISTOR				R 345	NRSA63J-562X	MG RESISTOR		
	R 237	NRSA63J-221X	MG RESISTOR				R 346	NRSA63J-472X	MG RESISTOR		

■ Electrical parts list (DVD servo board)

Block No. 05

△	Item	Parts number	Parts name	Remarks	Area
	R 347	NRSA63J-102X	MG RESISTOR		
	R 348	NRSA63J-102X	MG RESISTOR		
	R 349	NRSA63J-102X	MG RESISTOR		
	R 350	NRSA63J-102X	MG RESISTOR		
	R 364	NRSA63J-0R0X	MG RESISTOR		
	R 403	NRSA63J-472X	MG RESISTOR		
	R 405	NRSA63J-472X	MG RESISTOR		
	R 408	NRSA63J-472X	MG RESISTOR		
	R 411	NRSA63J-472X	MG RESISTOR		
	R 412	NRSA63J-103X	MG RESISTOR		
	R 413	NRSA63J-472X	MG RESISTOR		
	R 414	NRSA63J-472X	MG RESISTOR		
	R 415	NRSA63J-472X	MG RESISTOR		
	R 416	NRSA63J-472X	MG RESISTOR		
	R 417	NRSA63J-472X	MG RESISTOR		
	R 418	NRSA63J-472X	MG RESISTOR		
	R 422	NRSA63J-0R0X	MG RESISTOR		
	R 423	NRSA63J-0R0X	MG RESISTOR		
	R 424	NRSA63J-0R0X	MG RESISTOR		
	R 425	NRSA63J-0R0X	MG RESISTOR	6CH CHIP SELECT	
	R 426	NRSA63J-0R0X	MG RESISTOR	KARAOKE CHIP	
	R 431	NRSA63J-472X	MG RESISTOR		
	R 432	NRSA63J-472X	MG RESISTOR		
	R 435	NRSA63J-103X	MG RESISTOR		
	R 436	NRSA63J-103X	MG RESISTOR		
	R 437	NRSA63J-103X	MG RESISTOR		
	R 501	NRSA63J-102X	MG RESISTOR		
	R 502	NRSA63J-472X	MG RESISTOR		
	R 504	NRSA63J-330X	MG RESISTOR		
	R 506	NRSA63J-330X	MG RESISTOR		
	R 507	NRSA63J-330X	MG RESISTOR		
	R 508	NRSA63J-330X	MG RESISTOR		
	R 509	NRSA63J-330X	MG RESISTOR		
	R 510	NRSA63J-330X	MG RESISTOR		
	R 511	NRSA63J-330X	MG RESISTOR		
	R 512	NRSA63J-330X	MG RESISTOR		
	R 513	NRSA63J-330X	MG RESISTOR		
	R 514	NRSA63J-330X	MG RESISTOR		
	R 515	NRSA63J-330X	MG RESISTOR		
	R 516	NRSA63J-330X	MG RESISTOR		
	R 517	NRSA63J-330X	MG RESISTOR		
	R 518	NRSA63J-330X	MG RESISTOR		
	R 519	NRSA63J-330X	MG RESISTOR		
	R 520	NRSA63J-330X	MG RESISTOR		
	R 521	NRSA63J-330X	MG RESISTOR		
	R 522	NRSA63J-330X	MG RESISTOR		
	R 524	NRSA63J-181X	MG RESISTOR		
	R 525	NRSA63J-181X	MG RESISTOR	C/S CONEECT	
	R 526	NRSA63J-181X	MG RESISTOR	C/S CONNECT	
	R 527	NRSA63J-181X	MG RESISTOR		
	R 528	NRSA63J-102X	MG RESISTOR		
	R 529	NRSA63J-181X	MG RESISTOR		
	R 530	NRSA63J-0R0X	MG RESISTOR		
	R 531	NRSA63J-330X	MG RESISTOR		
	R 532	NRSA63J-102X	MG RESISTOR		
	R 533	NRSA63J-330X	MG RESISTOR		
	R 534	NRSA63J-330X	MG RESISTOR		
	R 535	NRSA63J-330X	MG RESISTOR		
	R 536	NRSA63J-330X	MG RESISTOR		
	R 537	NRSA63J-330X	MG RESISTOR		
	R 538	NRSA63J-330X	MG RESISTOR		
	R 539	NRSA63J-330X	MG RESISTOR		
	R 540	NRSA63J-330X	MG RESISTOR		

△	Item	Parts number	Parts name	Remarks	Area
	R 541	NRSA63J-0R0X	MG RESISTOR		
	R 542	NRSA63J-0R0X	MG RESISTOR		
	R 543	NRSA63J-0R0X	MG RESISTOR		
	R 545	NRSA63J-472X	MG RESISTOR		
	R 546	NRSA63J-181X	MG RESISTOR		
	R 549	NRSA63J-0R0X	MG RESISTOR		
	R 562	NRSA63J-181X	MG RESISTOR		
	R 563	NRSA63J-181X	MG RESISTOR		
	R1201	NRSA63J-183X	MG RESISTOR		
	X 301	NAX0375-001X	CRYSTAL	16.9344MHZ	
	X 401	NAX0331-001X	C RESONATOR		

■ Electrical parts list (Tuner board)

Block No. 06

△	Item	Parts number	Parts name	Remarks	Area
	C 1	NCB21HK-223X	C CAPACITOR		
	C 2	NCB21HK-103X	C CAPACITOR		
	C 3	EETC1CM-106ZJC	E.CAPACITOR		
	C 4	NCB21HK-103X	C CAPACITOR		
	C 6	NCB21HK-102X	C CAPACITOR		
	C 7	NCB21HK-102X	C CAPACITOR		
	C 8	NCB21HK-102X	C CAPACITOR		
	C 10	NRSA02J-0R0X	MG RESISTOR		
	C 11	NCB21HK-104X	C CAPACITOR		
	C 12	NCB21HK-473X	C CAPACITOR		
	C 13	NCS21HJ-120X	C CAPACITOR		
	C 14	QEKC1AM-107Z	E CAPACITOR	100MF 20% 10V	
	C 15	NCS21HJ-120X	C CAPACITOR		
	C 16	NCS21HJ-120X	C CAPACITOR		
	C 17	NCB21HK-392X	C CAPACITOR		
	C 18	QEQ61HM-474Z	NP E CAPACITOR	.47MF 20% 50V	
	C 19	NCB21HK-473X	C CAPACITOR		
	C 20	NCB21HK-102X	C CAPACITOR		
	C 21	NCB21HK-223X	C CAPACITOR		
	C 22	NCS21HJ-151X	C CAPACITOR		
	C 23	NCS21HJ-151X	C CAPACITOR		
	C 24	NCS21HJ-151X	C CAPACITOR		
	C 25	QEKC1AM-107Z	E CAPACITOR	100MF 20% 10V	
	C 26	NCB21HK-102X	C CAPACITOR		
	C 27	NCB21HK-102X	C CAPACITOR		
	C 30	EETC1CM-107ZJC	E CAPACITOR		
	C 31	EEKC1CM-226ZJC	E.CAPA. I.M		
	C 32	NCB21HK-473X	C CAPACITOR		
	C 33	NCB21HK-473X	C CAPACITOR		
	C 34	NCB21HK-223X	C CAPACITOR		
	C 35	NCB21HK-473X	C CAPACITOR		
	C 36	EEKC1HM-105ZJC	E CAPACITOR		
	C 37	EEKC1HM-105ZJC	E CAPACITOR		
	C 38	EETC1HM-224ZJC	E.CAPA. I.M		
	C 39	EETC1HM-105ZJC	E.CAPA. I.M		
	C 40	QETN1CM-106Z	E CAPACITOR	10MF 20% 16V	
	C 41	QETN1CM-106Z	E CAPACITOR	10MF 20% 16V	
	C 42	NCB21HK-152X	C CAPACITOR		
	C 43	NCB21HK-152X	C CAPACITOR		
	C 44	QETN1CM-106Z	E CAPACITOR	10MF 20% 16V	
	C 45	QETN1CM-106Z	E CAPACITOR	10MF 20% 16V	
	C 46	NCB21HK-273X	C CAPACITOR		
	C 47	EETC1HM-105ZJC	E.CAPA. I.M		
	C 48	NCB21HK-222X	C CAPACITOR		
	C 49	NCS21HJ-471X	C CAPACITOR		
	C 50	EETC1CM-226ZJC	E.CAPA. I.M		
	C 51	EEKC1HM-105ZJC	E CAPACITOR		
	C 52	QFVJ1HJ-274Z	MF CAPACITOR	.27MF 5% 50V	
	C 53	EETC1CM-226ZJC	E.CAPA. I.M		
	C 54	NCB21HK-473X	C CAPACITOR		
	C 57	NCB21HK-102X	C CAPACITOR		
	C 58	NCB21HK-473X	C CAPACITOR		
	C 59	NCB21HK-102X	C CAPACITOR		
	CF 1	QAX0677-001Z	C FILTER		
	CF 2	QAX0677-001Z	C FILTER		
	CF 3	QAX0610-001Z	C DISCRIMINATOR		
	CN 1	QGF1205F1-09	CONNECTOR		
	D 1	1SS133-T2	SI DIODE IM		
	D 2	1SS133-T2	SI DIODE IM		
	D 3	1SS133-T2	SI DIODE IM		
	D 4	1SS133-T2	SI DIODE IM		
	D 11	1SS133-T2	SI DIODE IM		
	IC 1	LA1838	IC		

△	Item	Parts number	Parts name	Remarks	Area
	IC 2	LC72136N	IC		
	J 1	QNB0014-001	ANT TERMINAL		
	L 1	QQR0796-002	COIL BLOCK		
	Q 1	2SC2814/4-5/-X	TRANSISTOR		
	Q 5	DTA114YKA-X	TRANSISTOR		
	R 1	QRE141J-560Y	C RESISTOR	56 5% 1/4W	
	R 2	NRSA02J-331X	MG RESISTOR		
	R 3	NRSA02J-224X	MG RESISTOR		
	R 4	NRSA02J-331X	MG RESISTOR		
	R 5	NRSA02J-560X	MG RESISTOR		
	R 6	NRSA02J-240X	RES. C.M		
	R 10	NRSA02J-222X	MG RESISTOR		
	R 13	NRSA02J-103X	MG RESISTOR		
	R 14	NRSA02J-104X	MG RESISTOR		
	R 15	NRSA02J-332X	MG RESISTOR		
	R 16	NRSA02J-472X	MG RESISTOR		
△	R 17	QRZ9005-680X	F RESISTOR	68 1/4W	
	R 18	NRSA02J-102X	MG RESISTOR		
	R 19	NRSA02J-102X	MG RESISTOR		
	R 20	NRSA02J-102X	MG RESISTOR		
	R 21	NRSA02J-562X	MG RESISTOR		
	R 22	NRSA02J-472X	MG RESISTOR		
	R 23	NRSA02J-182X	MG RESISTOR		
	R 24	NRSA02J-103X	MG RESISTOR		
	R 25	NRSA02J-331X	MG RESISTOR		
	R 26	NRSA02J-222X	MG RESISTOR		
	R 27	NRSA02J-103X	MG RESISTOR		
	R 28	NRSA02J-103X	MG RESISTOR		
	R 29	NRSA02J-103X	MG RESISTOR		
	R 30	NRSA02J-122X	MG RESISTOR		
	R 31	NRSA02J-102X	MG RESISTOR		
	R 32	NRSA02J-102X	MG RESISTOR		
	R 33	NRSA02J-331X	MG RESISTOR		
	R 34	NRSA02J-470X	MG RESISTOR		
	R 35	NRSA02J-562X	MG RESISTOR		
	R 36	NRSA02J-332X	MG RESISTOR		
	R 37	NRSA02J-103X	MG RESISTOR		
	R 38	NRSA02J-563X	MG RESISTOR		
	R 39	NRSA02J-563X	MG RESISTOR		
	R 40	NRSA02J-243X	MG RESISTOR		
	R 41	NRSA02J-332X	MG RESISTOR		
	R 60	NRSA02J-0R0X	MG RESISTOR		
	T 1	QQR0793-001	IFT		
	TU 1	QAU0161-001	FRONT END		
	X 1	QAX0402-001	CRYSTAL		

■ Electrical parts list (Relay board)

Block No. 07

△	Item	Parts number	Parts name	Remarks	Area
	C 13	NCS31HJ-101X	C.CAPA. C.M		
	CN 10	QGF0501F4-40X	FFC/FPC CONNE	FOR MAIN	
	CN 12	QGF1012F1-30X	FPC CONNE	FOR P.U	
	IC 1	GP2S60B-X	IC(PHOTO COUPLE		
	K 10	NQR0265-003X	FERRITE BEADS		
	K 11	NQR0265-003X	FERRITE BEADS		
	K 12	NQR0265-003X	FERRITE BEADS		
	K 13	NQR0265-003X	FERRITE BEADS		
	K 14	NQR0265-003X	FERRITE BEADS		
	K 15	NQR0265-003X	FERRITE BEADS		
	K 16	NQR0265-003X	FERRITE BEADS		
	K 17	NQR0265-003X	FERRITE BEADS		
	K 18	NQR0265-003X	FERRITE BEADS		
	R 10	NRSA63J-391X	MG RESISTOR		
	R 11	NRSA63J-910X	MG RESISTOR		
	R 12	NRSA63J-911X	MG RESISTOR		
	S 10	QSW0620-001	SWITCH	REST SW	
	S 11	NSW0127-001X	SLIDE SWITCH	SHORT SW	

■ Electrical parts list (DVD changer board) Block No. 08

△	Item	Parts number	Parts name	Remarks	Area
	C 801	QEKC1AM-107Z	E.CAPACITOR	100MF 20% 10V	
	C 802	QEKC1EM-475Z	E.CAPACITOR	4.7MF 20% 25V	
	C 803	QFLC1HJ-102Z	M CAPACITOR	1000PF 5% 50V	
	C 804	QCFB1HZ-104Y	C CAPACITOR	.10MF +80:-20%	
	C 805	QDYB1CM-103Y	C.CAPACITOR		
	C 806	QEKC1CM-476Z	E.CAPACITOR	47MF 20% 16V	
	C 807	QEKC1CM-476Z	E.CAPACITOR	47MF 20% 16V	
	C 808	QFLC1HJ-102Z	M CAPACITOR	1000PF 5% 50V	
	C 810	QCZ0205-155Z	ML C CAPA I/M	1.5MF	
	C 811	QCZ0205-155Z	ML C CAPA I/M	1.5MF	
	C 813	QDYB1CM-103Y	C.CAPACITOR		
	C 821	QDGB1HK-102Y	C CAPACITOR		
	CN801	QGF1205F1-10	CONNECTOR	TO MICON	
	CN802	QGB2016K1-07	CONNECTOR	TO SWITCH PWB	
	CN803	QGB2012K2-10	CONNECTOR	TO CAM SW PWB	
	IC801	UPD65612GB-208	IC		
	IC802	TA8409S	IC		
△	IC803	TA8409S	IC		
	L 801	QQL231K-100Y	INDUCTOR		
	L 802	QQL01BK-100Z	INDUCTOR		
	L 803	QQL01BK-100Z	INDUCTOR		
	L 804	QQL01BK-100Z	INDUCTOR		
	R 805	QRE141J-102Y	C RESISTOR	1.0K 5% 1/4W	
	R 806	QRE141J-471Y	C RESISTOR	470 5% 1/4W	
	R 807	QRE141J-471Y	C RESISTOR	470 5% 1/4W	
	R 808	QRE141J-102Y	C RESISTOR	1.0K 5% 1/4W	
	R 810	QRE141J-684Y	C RESISTOR	680K 5% 1/4W	
	R 811	QRE141J-105Y	C RESISTOR	1.0M 5% 1/4W	
	R 813	QRE141J-102Y	C RESISTOR	1.0K 5% 1/4W	
	R 814	QRE141J-102Y	C RESISTOR	1.0K 5% 1/4W	
	R 815	QRE141J-102Y	C RESISTOR	1.0K 5% 1/4W	
	R 816	QRE141J-102Y	C RESISTOR	1.0K 5% 1/4W	
	R 817	QRE141J-102Y	C RESISTOR	1.0K 5% 1/4W	
	R 818	QRE141J-102Y	C RESISTOR	1.0K 5% 1/4W	
	R 819	QRE141J-102Y	C RESISTOR	1.0K 5% 1/4W	
	R 820	QRE141J-102Y	C RESISTOR	1.0K 5% 1/4W	
	R 821	QRE141J-102Y	C RESISTOR	1.0K 5% 1/4W	
	R 822	QRE141J-102Y	C RESISTOR	1.0K 5% 1/4W	
	R 823	QRE141J-102Y	C RESISTOR	1.0K 5% 1/4W	
	R 824	QRE141J-102Y	C RESISTOR	1.0K 5% 1/4W	
	R 825	QRE141J-102Y	C RESISTOR	1.0K 5% 1/4W	
	R 826	QRE141J-102Y	C RESISTOR	1.0K 5% 1/4W	
	R 827	QRE141J-102Y	C RESISTOR	1.0K 5% 1/4W	
	R 828	QRE141J-102Y	C RESISTOR	1.0K 5% 1/4W	
	R 829	QRE141J-102Y	C RESISTOR	1.0K 5% 1/4W	
	R 830	QRE141J-102Y	C RESISTOR	1.0K 5% 1/4W	
	R 832	QRE141J-181Y	C RESISTOR	180 5% 1/4W	
	R 833	QRE141J-102Y	C RESISTOR	1.0K 5% 1/4W	
	R 834	QRE141J-102Y	C RESISTOR	1.0K 5% 1/4W	
	R 838	QRE141J-272Y	C RESISTOR	2.7K 5% 1/4W	
	R 839	QRE141J-332Y	C RESISTOR	3.3K 5% 1/4W	
	R 840	QRE141J-562Y	C RESISTOR	5.6K 5% 1/4W	

■ Electrical parts list (Switch board) Block No. 09

△	Item	Parts number	Parts name	Remarks	Area
	CN804	QGB2016J1-07	CONNECTOR		
	CN805	QGB2012J1-10	CONNECTOR		
	SW 1	QSW0859-001	DETECT SWITCH		
	SW 2	QSW0859-001	DETECT SWITCH		
	SW 3	QSW0859-001	DETECT SWITCH		
	SW 4	QSW0859-001	DETECT SWITCH		
	SW 5	QSW0859-001	DETECT SWITCH		
	SW 6	QSW0859-001	DETECT SWITCH		

■ Electrical parts list (Herd amplifier&cassette switch board) Block No. 10

△	Item	Parts number	Parts name	Remarks	Area	△	Item	Parts number	Parts name	Remarks	Area
	CN301	QGF1205F1-06	CONNECTOR	A HEAD			D3302	1SR139-400-T2	SI DIODE		
	CN302	QGF1205F1-06	CONNECTOR	B HEAD			D3307	DZ5.1BSB-T2	Z DIODE	NEW SUPPLIER	
	CN303	QGB2011M1-10	B TO B CONNECTO				D3308	DZ5.1BSB-T2	Z DIODE		
	CN305	QGF1205F1-10	CONNECTOR	OUTPUT			D3309	DZ5.1BSB-T2	Z DIODE		
	CN306	QGF1205F1-09	CONNECTOR	CONTROL			D3331	1SR139-400-T2	SI DIODE		
	CN333	QGB2011L1-10	B TO B CONNECTO	FOR FMP-007-1			FW301	EWR34D-10CS	FLAT WIRE	TO MOTOR CONTRO	
	C3101	QCS11HJ-100	C CAPACITOR	10PF 5% 50V			IC301	BA3126N	IC	HEAD SW	
	C3102	QCBB1HK-331Y	C CAPACITOR	330PF 10% 50V			IC302	AN7345K	IC	PRE AMP	
	C3103	QDGB1HK-821Y	C CAPACITOR				IC303	BU4094BC	IC		
	C3104	QDGB1HK-102Y	C CAPACITOR				IC331	SG-105F3-BB,C	PHOTO SENSER		
	C3105	EEKJ1AM-107ZJC	AL E.CAPACITOR				IC332	SG-105F3-BB,C	PHOTO SENSER		
	C3107	EEKJ1HM-105ZJC	AL E.CAPACITOR				L3202	QQR0621-001Z	FERRITE BEADS		
	C3111	EEKJ1HM-104ZJC	AL E.CAPACITOR				L3301	QQR1118-001	OSC COIL(BIAS)		
	C3112	EEKJ1CM-106ZJC	AL E.CAPACITOR				L3303	QQL01BK-100Z	INDUCTOR		
	C3113	QDXB1CM-332Y	C CAPACITOR				P3302	QNZ0104-001	POST PIN		
	C3114	EEKJ1EM-475ZJC	AL E.CAPACITOR				P3331	QNZ0104-001	POST PIN		
	C3115	QFLK1HJ-153Z	M CAPACITOR	.015MF 5% 50V			Q3105	2SC3576-JVC-T	TRANSISTOR		
	C3116	QDYB1CM-822Y	C CAPACITOR				Q3205	2SC3576-JVC-T	TRANSISTOR		
	C3119	QFLM1HJ-563Z	M CAPACITOR	.056MF 5% 50V			Q3302	2SC2001/K/-T	TRANSISTOR		
	C3120	QCS11HJ-330	C CAPACITOR	33PF 5% 50V			Q3305	2SC2001/K/-T	TRANSISTOR		
	C3121	QDGB1HK-102Y	C CAPACITOR				Q3312	2SB562/C/-T	TRANSISTOR		
	C3201	QCS11HJ-100	C CAPACITOR	10PF 5% 50V			Q3313	KTC3199/GL/-T	TRANSISTOR		
	C3202	QCBB1HK-331Y	C CAPACITOR	330PF 10% 50V			Q3314	2SB562/C/-T	TRANSISTOR		
	C3203	QDGB1HK-821Y	C CAPACITOR				Q3315	KTC3199/GL/-T	TRANSISTOR		
	C3204	QDGB1HK-102Y	C CAPACITOR				Q3316	KTA1267/YG/-T	TRANSISTOR		
	C3205	EEKJ1AM-107ZJC	AL E.CAPACITOR				Q3317	KRC107M-T	D.TRANSISTOR		
	C3206	QFLK1HJ-333Z	M CAPACITOR	.033MF 5% 50V			Q3323	KRC104M-T	D.TRANSISTOR		
	C3207	EEKJ1HM-105ZJC	AL E.CAPACITOR				Q3324	KRA102M-T	D.TRANSISTOR		
	C3211	EEKJ1HM-104ZJC	AL E.CAPACITOR				R3103	QRE141J-183Y	C RESISTOR	18K 5% 1/4W	
	C3212	EEKJ1CM-106ZJC	AL E.CAPACITOR				R3105	QRE141J-220Y	C RESISTOR	22 5% 1/4W	
	C3213	QDXB1CM-332Y	C CAPACITOR				R3106	QRE141J-392Y	C RESISTOR	3.9K 5% 1/4W	
	C3214	EEKJ1EM-475ZJC	AL E.CAPACITOR				R3107	QRE141J-222Y	C RESISTOR	2.2K 5% 1/4W	
	C3215	QFLK1HJ-153Z	M CAPACITOR	.015MF 5% 50V			R3108	QRE141J-241Y	C RESISTOR	240 5% 1/4W	
	C3216	QDYB1CM-822Y	C CAPACITOR				R3111	QRE141J-562Y	C RESISTOR	5.6K 5% 1/4W	
	C3219	QFLM1HJ-563Z	M CAPACITOR	.056MF 5% 50V			R3112	QRE141J-102Y	C RESISTOR	1.0K 5% 1/4W	
	C3220	QCS11HJ-330	C CAPACITOR	33PF 5% 50V			R3113	QRE141J-271Y	C RESISTOR	270 5% 1/4W	
	C3221	QDGB1HK-102Y	C CAPACITOR				R3114	QRE141J-391Y	C RESISTOR	390 5% 1/4W	
	C3222	QFLK1HJ-333Z	M CAPACITOR	.033MF 5% 50V			R3117	QRE141J-332Y	C RESISTOR	3.3K 5% 1/4W	
	C3301	EEKJ1AM-107ZJC	AL E.CAPACITOR				R3118	QRE141J-152Y	C RESISTOR	1.5K 5% 1/4W	
	C3302	EEKJ1AM-107ZJC	AL E.CAPACITOR				R3119	QRE141J-203Y	C RESISTOR	20K 5% 1/4W	
	C3303	EEKJ1CM-226ZJC	AL E.CAPACITOR				R3120	QRE141J-102Y	C RESISTOR	1.0K 5% 1/4W	
	C3304	EEKJ1EM-475ZJC	AL E.CAPACITOR				R3121	QRE141J-122Y	C RESISTOR	1.2K 5% 1/4W	
	C3305	QFLK1HJ-393Z	M CAPACITOR	.039MF 5% 50V			R3203	QRE141J-183Y	C RESISTOR	18K 5% 1/4W	
	C3306	EEKJ0JM-227ZJC	AL E.CAPACITOR				R3205	QRE141J-220Y	C RESISTOR	22 5% 1/4W	
	C3308	QDXB1CM-152Y	C CAPACITOR				R3206	QRE141J-392Y	C RESISTOR	3.9K 5% 1/4W	
	C3313	EEKJ1AM-107ZJC	AL E.CAPACITOR				R3207	QRE141J-222Y	C RESISTOR	2.2K 5% 1/4W	
	C3314	QCZ0205-155Z	ML C CAPACITOR	1.5MF			R3208	QRE141J-241Y	C RESISTOR	240 5% 1/4W	
	C3315	QCBB1HK-223Y	C CAPACITOR	.022MF 10% 50V			R3211	QRE141J-562Y	C RESISTOR	5.6K 5% 1/4W	
	C3316	QFG32AJ-103Z	PP CAPACITOR	.010MF 5% 100V			R3212	QRE141J-102Y	C RESISTOR	1.0K 5% 1/4W	
	C3327	EEKJ1CM-476ZJC	AL E.CAPACITOR				R3213	QRE141J-271Y	C RESISTOR	270 5% 1/4W	
	C3335	QDYB1CM-103Y	C CAPACITOR				R3214	QRE141J-391Y	C RESISTOR	390 5% 1/4W	
	C3336	QDYB1CM-103Y	C CAPACITOR				R3217	QRE141J-332Y	C RESISTOR	3.3K 5% 1/4W	
	C3339	EEKJ1CM-476ZJC	AL E.CAPACITOR				R3218	QRE141J-152Y	C RESISTOR	1.5K 5% 1/4W	
	C3340	QDYB1CM-103Y	C CAPACITOR				R3219	QRE141J-203Y	C RESISTOR	20K 5% 1/4W	
	C3341	EEKJ1AM-107ZJC	AL E.CAPACITOR				R3220	QRE141J-102Y	C RESISTOR	1.0K 5% 1/4W	
	C3342	EEKJ1EM-475ZJC	AL E.CAPACITOR				R3221	QRE141J-122Y	C RESISTOR	1.2K 5% 1/4W	
	C3345	QCBB1HK-331Y	C CAPACITOR	330PF 10% 50V			R3301	QRE141J-221Y	C RESISTOR	220 5% 1/4W	
	C3350	QDGB1HK-102Y	C CAPACITOR				R3302	QRE141J-101Y	C RESISTOR	100 5% 1/4W	
	C3501	QDGB1HK-821Y	C CAPACITOR				R3304	QRE141J-393Y	C RESISTOR	39K 5% 1/4W	
	C3502	QCBB1HK-271Y	C CAPACITOR	270PF 10% 50V			R3309	QRE141J-152Y	C RESISTOR	1.5K 5% 1/4W	
	C3555	QDGB1HK-102Y	C CAPACITOR				R3311	QRJ146J-4R7X	UNF C.RESISTOR	4.7 5% 1/4W	
	C3601	QDGB1HK-821Y	C CAPACITOR				R3314	QRE141J-101Y	C RESISTOR	100 5% 1/4W	
	C3602	QCBB1HK-271Y	C CAPACITOR	270PF 10% 50V			R3315	QRE141J-153Y	C RESISTOR	15K 5% 1/4W	

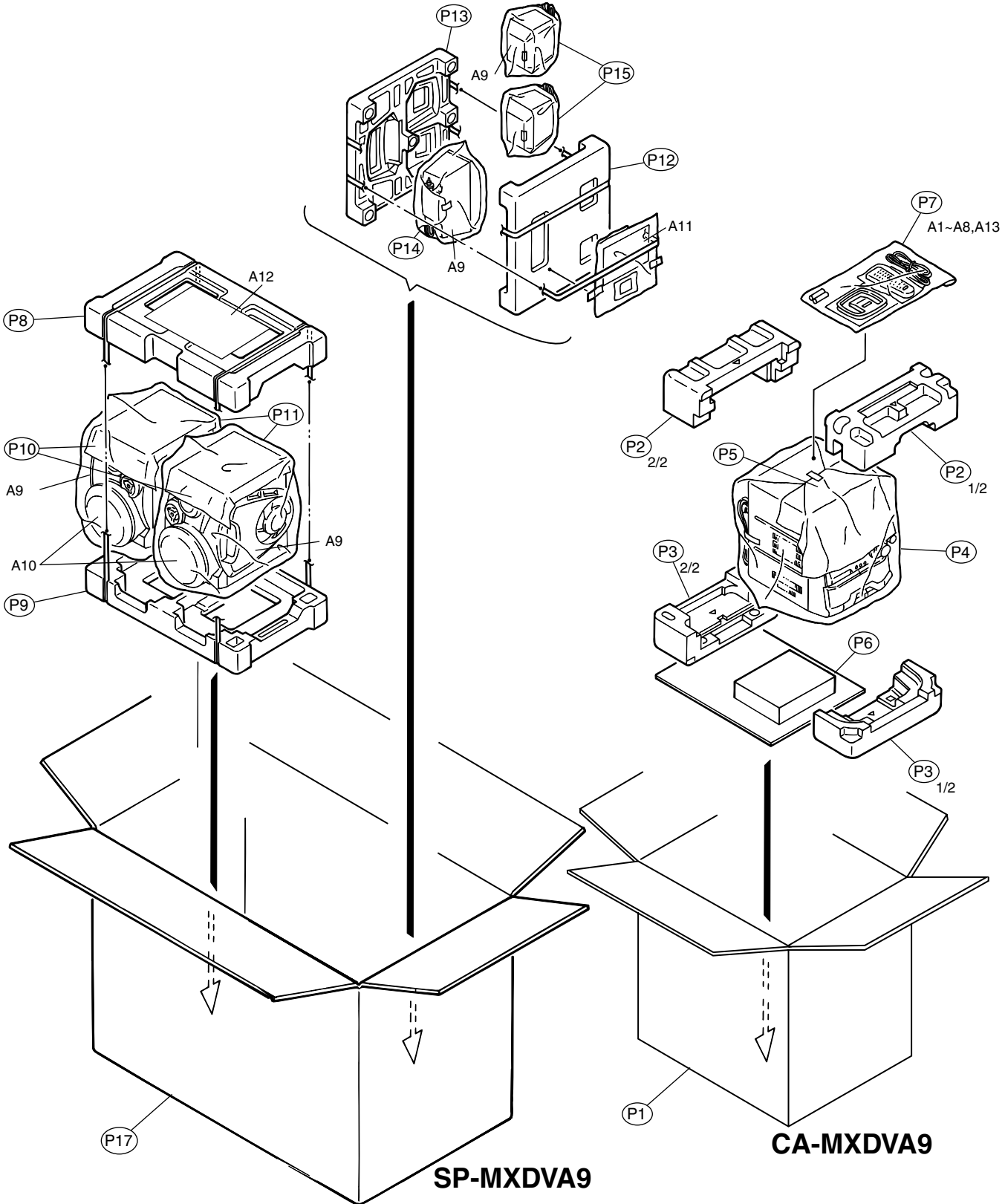
■ Electrical parts list (Herd amplifier&cassette switch board) Block No. 10

△	Item	Parts number	Parts name	Remarks	Area
	R3327	QRE141J-474Y	C RESISTOR	470K 5% 1/4W	
	R3330	QRE141J-103Y	C RESISTOR	10K 5% 1/4W	
	R3331	QRE141J-103Y	C RESISTOR	10K 5% 1/4W	
	R3335	QRE141J-222Y	C RESISTOR	2.2K 5% 1/4W	
	R3336	QRE141J-392Y	C RESISTOR	3.9K 5% 1/4W	
	R3344	QRE141J-224Y	C RESISTOR	220K 5% 1/4W	
	R3345	QRE141J-473Y	C RESISTOR	47K 5% 1/4W	
	R3347	QRE141J-392Y	C RESISTOR	3.9K 5% 1/4W	
	R3348	QRE141J-222Y	C RESISTOR	2.2K 5% 1/4W	
	R3350	QRE141J-472Y	C RESISTOR	4.7K 5% 1/4W	
	R3351	QRE141J-151Y	C RESISTOR	150 5% 1/4W	
	R3353	QRE141J-472Y	C RESISTOR	4.7K 5% 1/4W	
	R3354	QRE141J-151Y	C RESISTOR	150 5% 1/4W	
	R3355	QRE141J-332Y	C RESISTOR	3.3K 5% 1/4W	
	R3359	QRE141J-103Y	C RESISTOR	10K 5% 1/4W	
	R3361	QRE141J-393Y	C RESISTOR	39K 5% 1/4W	
	R3362	QRE141J-243Y	C RESISTOR	24K 5% 1/4W	
	R3366	QRE141J-273Y	C RESISTOR	27K 5% 1/4W	
	R3367	QRE141J-103Y	C RESISTOR	10K 5% 1/4W	
	R3368	QRE141J-223Y	C RESISTOR	22K 5% 1/4W	
	R3369	QRE141J-101Y	C RESISTOR	100 5% 1/4W	
	R3370	QRE141J-103Y	C RESISTOR	10K 5% 1/4W	
	R3374	QRE141J-2R2Y	C RESISTOR	2.2 5% 1/4W	
△	R3376	QRZ9005-100X	F RESISTOR	10 1/0W	
	R3377	QRE141J-470Y	C RESISTOR	47 5% 1/4W	
	R3378	QRE141J-470Y	C RESISTOR	47 5% 1/4W	
	R3379	QRE141J-203Y	C RESISTOR	20K 5% 1/4W	
	R3380	QRE141J-470Y	C RESISTOR	47 5% 1/4W	
	R3381	QRE141J-470Y	C RESISTOR	47 5% 1/4W	
	R3383	QRE141J-471Y	C RESISTOR	470 5% 1/4W	
	SW302	QSW0832-001	LEAF SWITCH		
	SW303	QSW0832-001	LEAF SWITCH		
	SW304	QSW0832-001	LEAF SWITCH		
	SW305	QSW0832-001	LEAF SWITCH		
	SW306	QSW0859-001	DETECT SWITCH		
	SW316	QSW0859-001	DETECT SWITCH		
	VR101	QVP0008-503Z	SEMI.V.RESISTOR		
	VR201	QVP0008-503Z	SEMI.V.RESISTOR		
	VR301	QVP0008-103Z	SEMI.V.RESISTOR		

Packing materials and accessories parts list

Block No. **M 3 M M**

Block No. **M 5 M M**



■ Parts list (Packing)

Block No. M3MM

△	Item	Parts number	Parts name	Q'ty	Description	Area
	P 1	GV20136-004A	CARTON ASSY	1		
	P 2	GV10071-002A	CUSHION UPPER	1		
	P 3	GV10072-002A	CUSHION BOTTOM	1		
	P 4	QPC06507015P	POLY BAG	1		
	P 5	GV40168-003A	SHEET	1	STICK AT F.PANEL	
	P 6	GV30209-001A	SPACER	1		
	P 7	QPC02503515P	POLY BAG	1		
	P 8	139766061057	POLYFOAM-TOP	1	FOR SP-MXG79	
	P 9	139766061058	POLYFOAM-BOTTOM	1	FOR SP-MXG79	
	P 10	138764501088	MIRAMET	2	FOR SP-MXG79	
	P 11	138737001097	POLYBAG	2	FOR SP-MXG79	
	P 12	720-T1DS99-00	POLYFOAM-TOP	1	FOR SP-DS99TN	
	P 13	720-B1DS99-00	POLYFOAM-BOTTOM	1	FOR SP-DS99TN	
	P 14	700-120043-10	POLYBAG	1	FOR CENTER SPK	
	P 15	700-120042-10	POLYBAG	2	FOR SURROUND SPK	
	P 17	730-0DVA9U-10	CARTON	1	SP-MXDVA9 CARTON	

■ Parts list (Accessories)

Block No. M5MM

△	Item	Parts number	Parts name	Q'ty	Description	Area
	A 1	GVT0057-014A	INST.BOOK(CA-MXDVA9)	1	ARA	
		GVT0057-016A	INST.BOOK(CA-MXDVA9)	1	ENG	
	A 2	QAL0014-001	AM LOOP ANT	1		
	A 3	EWP503-001	ANT.WIRE	1		
	A 4	-----	BATTERY	2		
	A 5	RM-SMXDVA9U	REMOCON	1		
△	A 6	VMZ0139-001	CONTHI PLUG	1		
	A 7	QAM0216-001	SIGNAL CORD	1		
	A 8	GV40301-001A	MP3 SHEET	1		
	A 9	MXDVA9U-SPBOX-L	SPEAKER BOX(L)	1	SP-MXG79	
		MXDVA9U-SPBOX-R	SPEAKER BOX(R)	1	SP-MXG79	
		DS99TNK-SPBOX-R	SPEAKER BOX(R)	2	SP-DS99TN	
		DS99TNK-SPBOX-C	SPEAKER BOX(C)	1	SP-DS99TN	
	A 10	199732000137	G/FRAME ASY L/R	2	CLOTH	
	A 11	602-0S99TN-00	CAUTION SHEET	1	12-LANGUAGE TYP	
	A 12	650-0DVA9U-00	INST MANUAL(SP-MXDVA9)	1	ENG,SPA,POR,CHI,ARA	
	A 13	GV40261-003A	NOTICE SHEET	1		